

## SUBMITTAL: 1400 FX SERIES - FIRE-RATED AED CABINET

**Description:** 1400 Fire-Rated Cabinet Series is designed to accommodate all Automated External Defibrillators (AED's) on the market today, with all of our models except surface-mounted, ADAC-Compliant. Select from steel, stainless steel or aluminum construction.

**Trim Construction:** #4 brushed stainless steel, clear anodized aluminum or CRS with white powder-coat finish. 1-3/4" trim on face.

**Door:** Formed door with 1-3/4" trim, mounted in a 5/8" door stop with zinc-plated handle and roller catch and continuous hinge. View AED through a clear acrylic window with graphics,

**Alarm:** 85 db Commander (audible) alarm standard.

**Trim Style & Depth:** *Recessed* – 3/8" flat trim, *Semi-Recessed* – 1-1/2" square edge or 3" rolled edge. **Tub:** The double tub is constructed of cold rolled steel with white powder-coat finish standard. Fire-resistant material is sandwiched between the layers of steel.

**Fire-Rating:** The recessed and semi-recessed Fire-FX™ cabinets are fabricated in accordance with the Warnock Hersey label for one and two hour combustible and non-combustible wall system building codes. The fire testing has met the requirement of the UBC standard 43-6 and ASTM-E 814-83 for membrane and penetration firestops. Installation instructions must be strictly adhered to in order to obtain the fire rating. The installation of any fire-rated cabinet which lacks a cabinet door or a condition in which the door is left ajar, will void the fire rating.



**1417F12FX**  
Semi-Recessed Cabinet  
with 3" Rolled Trim

**STEP 1: SELECT MODEL NUMBER AND QUANTITY ON CHART** (refer to chart below)

- A. Determine Trim Style according to wall depth.
- B. Determine Tub I.D. according to size most suited for extinguisher and wall opening.

**STEP 2: SELECT DOOR STYLE WITH HANDLE**

- |  |  |
|--|--|
| <input type="checkbox"/> <b>F12</b> Full Glazing & Pull                          | <input type="checkbox"/> <b>S21</b> Solid Door & Pull                    |
| <input type="checkbox"/> <b>G12</b> Full Glazing with SAF-T-LOK™ & Pull          | <input type="checkbox"/> <b>L22</b> Solid with SAF-T-LOK™ & Pull         |
| <input type="checkbox"/> <b>D12</b> Horizontal Duo Panel & Pull                  | <input type="checkbox"/> <b>V12</b> Vertical Duo & Pull                  |
| <input type="checkbox"/> <b>E12</b> Horizontal Dual Panel with SAF-T-LOK™ & Pull | <input type="checkbox"/> <b>W 12</b> Vertical Duo with SAF-T-LOK™ & Pull |



Check one box below

**Optional Features at Additional Cost:**

- |   |  |
|---|--|
| <input type="checkbox"/> <b>(SA)</b> Siren Strobe Alarm and 85 db Alarm (3" Trim Models Only)                     | <input type="checkbox"/> <b>(14MAG)</b> Magnetic Door Contact for Existing Alarm Systems       |
| <input type="checkbox"/> <b>(14STC)</b> Saf-T-Clasp for Visual Notification When Door has been opened             | <input type="checkbox"/> <b>(14RR)</b> Roller Reed Ball Contact for Existing Alarm Systems     |
| <input type="checkbox"/> <a href="#">Custom Door Graphics</a> available—company logos, photos, etc. Contact C. S. | <input type="checkbox"/> Custom Colors (Provide Paint Chip) Contact Customer Service           |
| <input type="checkbox"/> AED Wall Signs - <a href="#">See Separate Submittal</a>                                  | <input type="checkbox"/> Optional Tub Color: ___ Black ___ Red                                 |
| <input type="checkbox"/> Optional Colors <a href="#">View Optional Colors Online</a> Contact Customer Service     | <input type="checkbox"/> Optional Tub Material ___ Stainless                                   |
| <input type="checkbox"/> Optional Anodized Aluminum <a href="#">Finishes View Finishes Online</a>                 | <input type="checkbox"/> Etched or Engraved Lettering in Glass or Metal                        |
| <input type="checkbox"/> Optional Stainless Steel Finishes <a href="#">View Finishes Online</a>                   | <input type="checkbox"/> <a href="#">Recessed Pull, Pulls in Other Finishes , Lever Handle</a> |
| <input type="checkbox"/> <a href="#">Bronze or Brass Finish</a> Contact Customer Service                          |  |



**1435F12FX** Fully-Recessed  
Cabinet with Flat Trim

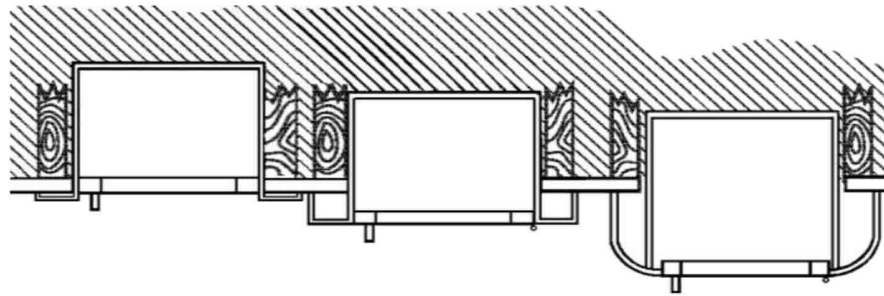
  <small>www.activarcpg.com</small>	Distributor:	Quantity:
	Contractor:	Approved By:
	Model #:	Architect::
	Project:	Date:



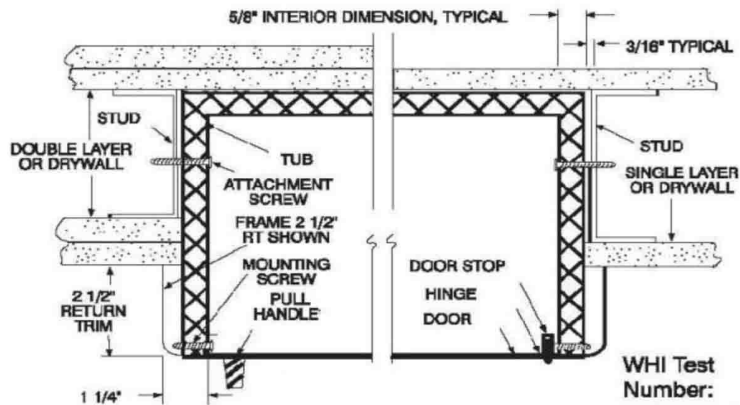
**FOR MORE INFORMATION CALL 1-888-926-1365**

Superior Specialty Supply • 9 Council Drive • PO Box 417 • Woodsboro, MD 21798 • [www.sssupply.com](http://www.sssupply.com)

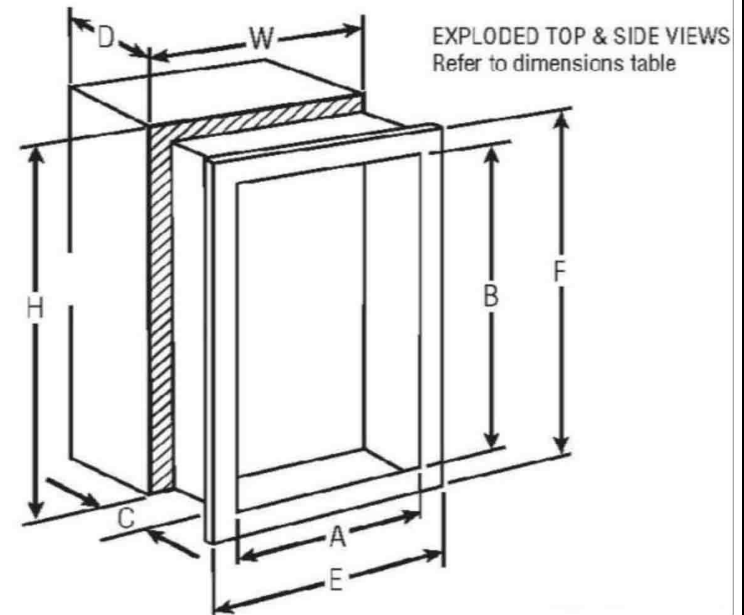
**SUBMITTAL: 1400 FX SERIES - FIRE-RATED AED CABINET**



**3/8\"/>**



WHI Test Number:  
 • 631-021201  
 • 631-021202



EXPLODED TOP & SIDE VIEWS  
 Refer to dimensions table

Double Wall Construction with Fire-Resistant Liner Shown at Left

TRIM & DOOR MATERIAL & SERIES #							TUB I.D.			FRAME O.D.		WALL OPENING FIRE RATED OPTION		
QTY	STEEL	QTY	ALUM.INUM	QTY	STAINLESS STEEL	TRIM STYLE	A	B	C	E	F	W	H	D
	1415FX		1425FX		1435FX	3/8" Flat Trim	14"	14"	6-3/4"	17-3/8"	17-3/8"	16-7/8"	16-7/8"	7-5/8"
	1416FFX		1426FX		1436FX	1-1/2" Square	14"	14"	6-3/4"	17-3/8"	17-3/8"	16 7/8"	16 7/8"	6 1/2"
	1417FX		1427FX*		1437FX	3" or 2 1/2" Rolled	14"	14"	6-3/4"	17-3/8"	17-3/8"	16 7/8"	16 7/8"	4 3/4"

\* Model 1427 has 2-1/2" Trim & Requires 5/8" Deeper Wall Opening



**FOR MORE INFORMATION CALL 1-888-926-1365**

Superior Specialty Supply • 9 Council Drive • PO Box 417 • Woodsboro, MD 21798 • [www.sssupply.com](http://www.sssupply.com)