

SUBMITTAL: COSMOPOLITAN™ STAINLESS STEEL FIRE EXTINGUISHER CABINETS

The Cosmopolitan Series in Stainless Steel Is a Modern, Clean Look for Recessed, Semi-Recessed & Surface-Mounted Cabinets.

Door & Trim Construction: # 4 stainless steel. Flush cabinet doors with a 5/8" door stop are attached by a continuous hinge and equipped with zinc-plated handle and roller catch. All models have 1-3/4" wide trim on frame and 1-1/4" trim on doors with glazing.

Trim Style & Depth: Recessed 3/8" flat trim, Semi Recessed - 1-1/4", 1-1/2" Square Edge or 2-1/2", 3", 4", 4-1/2" Rolled Edge (4" has recessed flush pull). Surface-mount models have a square edge. See separate submittal for Trimless or Surface-mount with rolled edge.

Tub: The tub is constructed of cold rolled steel with white powder-coat finish standard. Surface-mount models have a stainless tub.

Fire-Rated Option Available: Yes - [See separate Submittal Form.](#)

STEP 1: SELECT MODEL NUMBER AND QUANTITY ON CHART (refer to chart on pg 2)

- A. Determine Trim Style according to wall depth.
- B. Determine Tub I.D. according to size most suited for extinguisher and wall opening.

STEP 2: SELECT DOOR STYLE WITH HANDLE

Check one box below Examples on Page 2

- | | |
|---|---|
| <input type="checkbox"/> F Full Glazing | <input type="checkbox"/> L22 Solid with SAF-T-LOK™ |
| <input type="checkbox"/> G Full Glazing with SAF-T-LOK™ | <input type="checkbox"/> L24 Solid with Cylinder Lock - No Handle |
| <input type="checkbox"/> D Horizontal Duo Panel | <input type="checkbox"/> V Vertical Duo |
| <input type="checkbox"/> E Horizontal Dual Panel with SAF-T-LOK™ | <input type="checkbox"/> W Vertical Duo with SAF-T-LOK™ |
| <input type="checkbox"/> S21 Solid Door | <input type="checkbox"/> B Solid with 2" x 4" View Window & SAF-T-LOK™ |

STEP 3: SELECT DOOR GLAZING

(Check one box below)

- | | | |
|--|---|---|
| <input type="checkbox"/> 10 Clear Acrylic | <input type="checkbox"/> 15 Bronze Acrylic | <input type="checkbox"/> 17 Clear Tempered Glass |
| <input type="checkbox"/> 13 Clear Wire Glass with Safety Film | <input type="checkbox"/> 16 Gray Acrylic | <input type="checkbox"/> 18 Laminated Safety Glass |

STEP 4: OPTIONAL FEATURES AT ADDED COST (SELECT ANY)

- | | | | |
|--|---|---|--|
| <input type="checkbox"/> Optional Tub Color: ___ Black ___ Red | <input type="checkbox"/> Black Vertical FE Letters LDCVBFE | <input type="checkbox"/> Black Vertical Decal LDVBFE | <input type="checkbox"/> (CA) Commander Alarm |
| <input type="checkbox"/> Futura "Fire" Pull ___ Mill Alum ___ Red ___ White | <input type="checkbox"/> Red Vertical FE Letters LDCVRFE | <input type="checkbox"/> Red Vertical Decal LDVRFE | <input type="checkbox"/> (BA) Brigadier Alarm |
| <input type="checkbox"/> Flush Pull Handle (PRH) | <input type="checkbox"/> White Vertical FE Letters LDCVWFE | <input type="checkbox"/> White Vertical Decal LDVWFE | <input type="checkbox"/> (SA) Strobe Alarm (Surface Mount Models) |
| <input type="checkbox"/> Polished Chrome Pull (PUCH) | <input type="checkbox"/> Black Horizontal FE Letters LDCHBFE | <input type="checkbox"/> Black Horizontal Decal LDHBFE | <input type="checkbox"/> Etched/Engraved Lettering in Glass or Metal- Attach Sub |
| <input type="checkbox"/> Stainless Tub ___ #4 Finish View Stainless Finishes | <input type="checkbox"/> Red Horizontal FE Letters LDCHRFE | <input type="checkbox"/> Red Horizontal Decal LDHRFE | |
| <input type="checkbox"/> Other Stainless Finish: ___ #6 ___ #7 ___ #8 | <input type="checkbox"/> White Horizontal FE Letters LDCHWFE | <input type="checkbox"/> White Horizontal Decal LDHWFE | |
| <input type="checkbox"/> Rolled Edge Surface Mount Cabinet | | | |

For More Information on Options See Other Submittals: [Handles & Levers.](#) [Decals/Die Cuts & Wall Signs.](#) [More Alarm Information](#)



1035G10
Recessed



1033S21
Surface Mount



1037V10
3" Rolled Edge

<p>COSMOPOLITAN AND SAF-T-LOK ARE TRADEMARKS OF ACPG PLEASE DOWNLOAD MOST CURRENT SUBMITTAL FROM WEBSITE BEFORE ORDERING</p>	Distributor:	Quantity:
	Contractor:	Approved By:
	Model #:	Architect:
	Project:	Date: © 2019 Activar Construction Products Group, Inc
4/29/19		

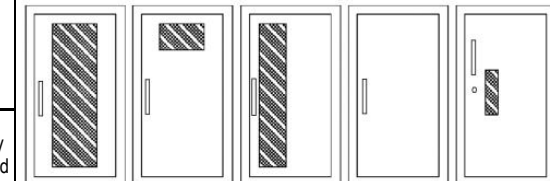
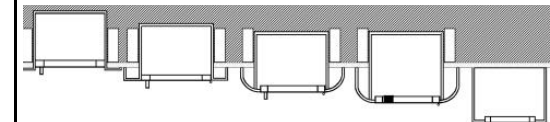
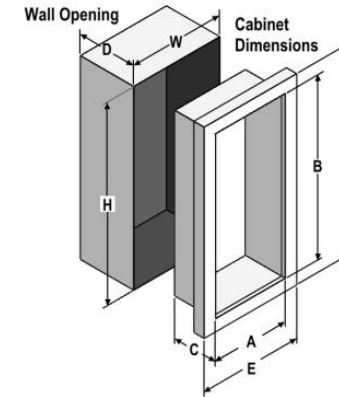


FOR MORE INFORMATION CALL 1-888-926-1365

Superior Specialty Supply • 9 Council Drive • PO Box 417 • Woodsboro, MD 21798 • www.sssupply.com

SUBMITTAL: COSMOPOLITAN FIRE EXTINGUISHER CABINETS

TRIM & DOOR SERIES #			Tub I.D.			Frame O.D.		Wall Opening			Fits Extinguishers View Submittal
QTY	Model	Trim Style (in)	A	B	C	E	F	W	H	D	
	8135	Flat 3/8" Trim	9	18	5 1/2	12 3/8	21 3/8	10	19	5 3/8	Cosmic & Galaxy 2 1/2-6 (6 lb must be mounted to back of tub), Mercury 2 1/2-5
	8136	1 1/2 Square	9	18	5 1/2	12 3/8	21 3/8	10	19	4 1/8	
	8137	2 1/2 Rolled	9	18	5 1/2	12 3/8	21 3/8	10	19	3 1/8	
	8133	Surf. Mtd Sq	12 3/16	21 3/16	6	12 3/8	21 3/8	--	--	--	Cosmic/Gal/Merc 2-5
	1730	2-1/4 Square	10 1/2	24	5	13 7/8	27 3/8	11 1/2	25	3	
	1835	Flat 3/8" Trim	10 1/2	24	5 1/2	13 7/8	27 3/8	11 1/2	25	5 3/8	Cosmic & Galaxy 2 1/2-6 (6 lb must be mounted to back of tub), Mercury 2 1/2-5
	1836	1 1/2 Square	10 1/2	24	5 1/2	13 7/8	27 3/8	11 1/2	25	4 1/8	
	1837	3 Rolled	10 1/2	24	5 1/2	13 7/8	27 3/8	11 1/2	25	2 5/8	
	1832	4 Rolled/Flush Pull	10 1/2	24	5 1/2	13 7/8	27 3/8	11 1/2	25	1 7/8	
	1838	4 1/2 Rolled	10 1/2	24	5 1/2	13 7/8	27 3/8	11 1/2	25	1 1/8	
	1035	Flat 3/8" Trim	10 1/2	24	6	13 7/8	27 3/8	11 1/2	25	5 7/8	Cosmic & Galaxy 2 1/2-10 Mercury 2 1/2-5, Sentinel 5
	1036	1 1/2 Square	10 1/2	24	6	13 7/8	27 3/8	11 1/2	25	4 5/8	
	1037	3 Rolled	10 1/2	24	6	13 7/8	27 3/8	11 1/2	25	3 1/8	
	1032	4 Rolled/Flush Pull	10 1/2	24	6	13 7/8	27 3/8	11 1/2	25	2 3/8	
	1038	4 1/2 Rolled	10 1/2	24	6	13 7/8	27 3/8	11 1/2	25	1 5/8	
	1033	Surf Mtd. Sq	13 11/16	27 3/16	6 1/2	13 7/8	27 3/8	--	--	--	Any Cosmic or Galaxy (20 lb must be mounted to back of tub), Mercury, Saturn or Grenadier P, Sentinel 5 & 10
	2035	Flat 3/8" Trim	12	27	7 3/4	15 3/8	30 3/8	13	28	7 5/8	
	2036	1 1/4 Square	12	27	7 3/4	15 3/8	30 3/8	13	28	6 5/8	
	2037	2 1/2 Rolled	12	27	7 3/4	15 3/8	30 3/8	13	28	5 3/8	
	2032	4 Rolled/Flush Pull	12	27	7 3/4	15 3/8	30 3/8	13	28	4 1/8	
	2038	4 1/2 Rolled	12	27	7 3/4	15 3/8	30 3/8	13	28	3 3/8	Any Cosmic or Galaxy (20 lb must be mounted to back of tub), Mercury, Saturn or Grenadier P, Sentinel 5-15, 272
	2033	Surf Mtd. Sq	15 3/16	30 3/16	8 1/4	15 3/8	30 3/8	--	--	--	
	3035	Flat 3/8" Trim	16	32	7 3/4	19 3/8	35 3/8	17	33	7 5/8	
	3036	1 1/4 Square	16	32	7 3/4	19 3/8	35 3/8	17	33	6 5/8	
	3037	2 1/2 Rolled	16	32	7 3/4	19 3/8	35 3/8	17	33	5 3/8	
	3032	4 Rolled/Flush Pull	16	32	7 3/4	19 3/8	35 3/8	17	33	4 1/8	Two each of: any Cosmic or Galaxy (20 lb must be mounted on back of tub), Mercury, Saturn or Grenadier P, Sentinel 5
	3038	4 1/2 Rolled	16	32	7 3/4	19 3/8	35 3/8	17	33	3 3/8	
	3033	Surf Mtd. Sq	19 3/16	35 3/16	8 1/4	19 3/8	35 3/8	--	--	--	
	4035	Flat 3/8" Trim	20	27	7 3/4	23 3/8	30 3/8	21	28	7 5/8	
	4036	1 1/4 Square	20	27	7 3/4	23 3/8	30 3/8	21	28	6 5/8	
	4037	2 1/2 Rolled	20	27	7 3/4	23 3/8	30 3/8	21	28	5 3/8	Two each of: any Cosmic or Galaxy (20 lb must be mounted on back of tub), Mercury, Saturn or Grenadier P, Sentinel 5
	4032	4 Rolled/Flush Pull	20	27	7 3/4	23 3/8	30 3/8	21	28	4 1/8	
	4038	4 1/2 Rolled	20	27	7 3/4	23 3/8	30 3/8	21	28	3 3/8	
	4033	Surf Mtd. Sq	23 3/16	30 3/16	8 1/4	23 3/8	30 3/8	--	--	--	



F - Full glass with pull handle
 G - Full glass with pull handle above Saf-T-Lok (not shown)
 D - Horizontal duo panel with pull handle
 E - Horizontal duo panel with pull handle above Saf-T-Lok (not shown)
 V - Vertical duo panel with pull handle
 W - Vertical duo panel with pull handle above Saf-T-Lok (not shown)
 S21 - Solid with pull handle
 L22 - Solid with pull handle above Saf-T-Lok
 L24 - Solid with cylinder key lock and no handle
 B - Small view window with pull handle, and Saf-T-Lok

[VIEW ALL DOOR STYLES ONLINE](#)

ADA Cabinet Mounting Height: Standard Pull on G, E, W, L22 and B Door Styles with Saf-T-Lok are 3 5/8" Higher than Door Center, so Allow for that When Mounting Cabinet.
 Standard Pull with No Lock or Flush Pull are Centered on Door.

• Cabinets that Meet 4" Maximum ADA Projection Requirement

[ADA Information](#)

Models shown in **Large Bold** above are available in several door styles for Quick Shipment. [See current Stock List.](#)



FOR MORE INFORMATION CALL 1-888-926-1365
 Superior Specialty Supply • 9 Council Drive • PO Box 417 • Woodsboro, MD 21798 • www.sssupply.com