



CABINETS LOMA FIRE EXTINGUISHER CABINETS

Model/Series No.
**7300
SERIES**

DATA

SPECIFICATIONS

BOX

Cold rolled steel with an electrostatically applied, thermally-fused polyester coating with recoatable white finish, and a continuous hinge.

DOOR AND FRAME

Model 7307-7329: **Steel** - Cold rolled steel with recoatable white polyester finish

Model 7337-7349: **Aluminum** - Clear anodized finish

Model 7357-7369: **Stainless Steel** - #304 Stainless steel with #4 finish

Model 7377-7389: **Brass** - Polished finish, clear polyester coated



MODEL 7320 (Shown)

MODEL SELECTION

STEEL

- 7307 Recessed
- 7308 Semi-Recessed
- 7309 Surface
- 7320 Recessed
- 7321 Trimless
- 7322 Semi-Recessed
- 7324 Surface
- 7325 Recessed
- 7326 Trimless
- 7327 Semi-Recessed
- 7329 Surface

ALUMINUM

- 7337 Recessed
- 7338 Semi-Recessed
- 7339 Surface
- 7340 Recessed
- 7341 Trimless
- 7342 Semi-Recessed
- 7344 Surface
- 7345 Recessed
- 7346 Trimless
- 7347 Semi-Recessed
- 7349 Surface

MODEL SELECTION (cont.)

STAINLESS STEEL

- 7357 Recessed
- 7358 Semi-Recessed
- 7359 Surface
- 7360 Recessed
- 7361 Trimless
- 7362 Semi-Recessed
- 7364 Surface
- 7365 Recessed
- 7366 Trimless
- 7367 Semi-Recessed
- 7369 Surface

BRASS

- 7377 Recessed
- 7378 Semi-Recessed
- 7379 Surface
- 7380 Recessed
- 7381 Trimless
- 7382 Semi-Recessed
- 7384 Surface
- 7385 Recessed
- 7386 Trimless
- 7387 Semi-Recessed
- 7389 Surface

Call Potter Roemer - Fire Pro for current listings and approvals. Dimensions are subject to manufacturer's tolerance and may change without notice. Potter Roemer - Fire Pro assumes no responsibility for use of void or superseded data. © Copyright Potter Roemer - Fire Pro, Member of Morris Group International™ Please visit potterroemer.com for most current specifications.

7300 SERIES

Date: 03/27/14

MEMBERSHIP



FIRE EQUIPMENT
MANUFACTURERS'
ASSOCIATION

ONFSA
NATIONAL FIRE SPRINKLER ASSOCIATION



CASPE
American Society of
Plumbing Engineers



POTTER ROEMER/FIRE PRO



FOR MORE INFORMATION CALL 1-888-926-1365
Superior Specialty Supply • 9 Council Drive • PO Box 417 • Woodsboro, MD 21798 • www.sssupply.com



CABINETS LOMA FIRE EXTINGUISHER CABINETS

Model/Series No.
**7300
SERIES**

PRODUCT OPTIONS

DOOR STYLES:

- BA Full Bubble w/ Lever Handle & Cam Latch
- BB Full Bubble w/ Scored Acrylic Insert & Cylinder Lock

BUBBLE COLOR:

- 6 Clear
- 7 Bronze
- 9 Smoke

DOOR AND FRAME FINISHES:

- STEEL: Any polyester paint color, if available; Provide mfg. name and color number
- ALUMINUM: Light, Medium or Dark duranodic
- STAINLESS STEEL: Number 304 Stainless, with #8 mirror finish
- BRONZE: U.S. # 10 Satin finish with clear coating, or dark oxidized, oil rubbed; specify
- RED: For Red Polyester Finish, Add This Suffix
- RR: For Rolled Radius Return, Add This Suffix
- CUSTOM _____

PRODUCT OPTIONS (cont.)

FIRE EXTINGUISHER LETTERING:

- VW Vertical White
- VB Vertical Black
- VR Vertical Red
- VAW Vertical Ascending White
- VAB Vertical Ascending Black
- VAR Vertical Ascending Red

Call Potter Roemer - Fire Pro for current listings and approvals. Dimensions are subject to manufacturer's tolerance and may change without notice. Potter Roemer - Fire Pro assumes no responsibility for use of void or superseded data. © Copyright Potter Roemer - Fire Pro, Member of Morris Group International™ Please visit potterroemer.com for most current specifications.

7300 SERIES

Date: 03/27/14

MEMBERSHIP



FIRE EQUIPMENT
MANUFACTURERS'
ASSOCIATION



POTTER ROEMER/FIRE PRO

Headquarters:
P.O. Box 3527
City of Industry, CA
91744 U.S.A.
Los Angeles Area
800-366-3473
626-855-4890

Also in:
New York (800) 526-4592
Chicago (800) 547-3473
Atlanta (800) 762-0542
Miami (866) 961-3473
Dallas (866) 644-3473

www.potterroemer.com



FOR MORE INFORMATION CALL 1-888-926-1365
Superior Specialty Supply • 9 Council Drive • PO Box 417 • Woodsboro, MD 21798 • www.sssupply.com



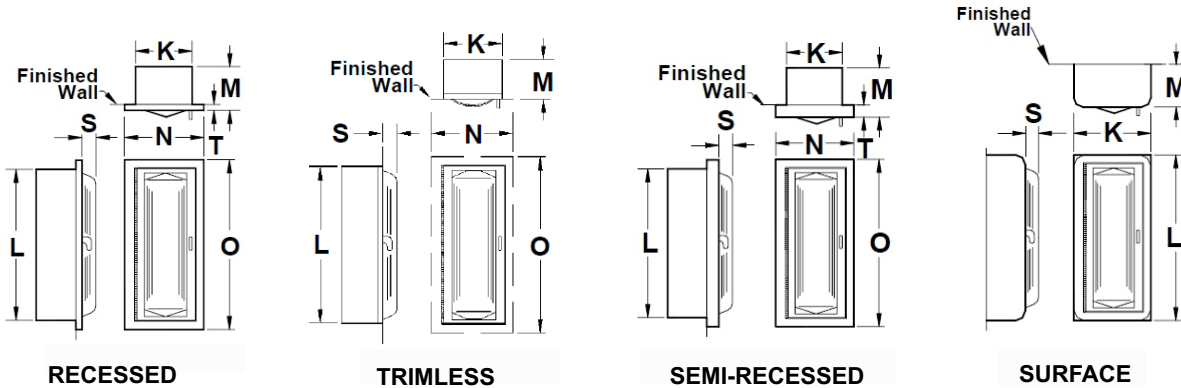
**CABINETS
LOMA FIRE EXTINGUISHER CABINETS**

Model/Series No.
**7300
SERIES**

MODEL DIMENSIONS

Model No.				Wall Mounting	Inside Box Dimensions			Overall Frame		Wall Opening Required			Proj. S	Trim T	For Use With These Extinguishers	ADA
Steel	Aluminum	Stainless Steel	Brass		K	L	M	N	O	W I D T H	H E I G H T	D E P T H				
7307	7337	7357	7377	Recessed	9	18	4	11-3/4	20-3/4	10	19	3-3/4	2	1/2	3002, 3005, 3005-3, 3302, 3305, 3305-3	Yes
7308	7338	7358	7378	Semi-Recessed	9	18	4	11-3/4	20-3/4	10	19	2-1/4	2	2		No
7309	7339	7359	7379	Surface	11-1/2	20-1/2	4	-	-	-	-	-	2	-		No
7320	7340	7360	7380	Recessed	9	24	4	11-3/4	26-3/4	10	25	3-3/4	2	1/2	3002, 3005, 3005-3, 3006, 3010, 3302, 3305, 3005-3, 3306, 3310	Yes
7321	7341	7361	7381	Trimless	9	24	4-1/2	12-3/4	27-3/4	10	25	4-3/4	2	-		Yes
7322	7342	7362	7382	Semi-Recessed	9	24	4	11-3/4	26-3/4	10	25	2-1/4	2	2		No
7324	7344	7364	7384	Surface	11-1/2	26-1/2	4	-	-	-	-	-	2	-	No	
7325	7345	7365	7385	Recessed	12	27	4-3/4	14-1/2	29-1/2	13	28	4-1/2	3	1/2	3020, 3202, 3320, 3410	Yes
7326	7346	7366	7386	Trimless	12	27	5-1/4	15-1/2	30-1/2	13	28	5-1/2	3	-		Yes
7327	7347	7367	7387	Semi-Recessed	12	27	4-3/4	14-1/2	29-1/2	13	28	3	3	3		No
7329	7349	7369	7389	Surface	14-1/2	29-1/2	4-3/4	-	-	-	-	-	3	-		No

ALL DIMENSIONS ARE IN INCHES UNLESS OTHERWISE NOTED



Call Potter Roemer - Fire Pro for current listings and approvals. Dimensions are subject to manufacturer's tolerance and may change without notice. Potter Roemer - Fire Pro assumes no responsibility for use of void or superseded data. © Copyright Potter Roemer - Fire Pro, Member of Morris Group International™ Please visit potterroemer.com for most current specifications.

7300 SERIES

Date: 03/27/14

MEMBERSHIP



FIRE EQUIPMENT MANUFACTURERS' ASSOCIATION



POTTER ROEMER/FIRE PRO

Headquarters:
P.O. Box 3527
City of Industry, CA
91744 U.S.A.
Los Angeles Area
800-366-3473
626-855-4890

Also in:
New York (800) 526-4592
Chicago (800) 547-3473
Atlanta (800) 762-0542
Miami (866) 961-3473
Dallas (866) 644-3473

www.potterroemer.com



FOR MORE INFORMATION CALL 1-888-926-1365
Superior Specialty Supply • 9 Council Drive • PO Box 417 • Woodsboro, MD 21798 • www.sssupply.com