

**SUBMITTAL: 3600 SERIES FIRE-FX2™ FIRE-RATED BLANKET/EXTINGUISHER CABINET - ALUMINUM PG 1 OF 2**

**Door and Trim Construction:** No 180 clear anodized aluminum. Flush cabinet doors with a 5/8" door stop are attached by a continuous hinge and equipped with zinc-plated handle and roller catch. Full glazed front with pull handle. Theft-deterrent SAF-T-LOK™ also available.

**Trim Style and Depth:** *Recessed-* 3/8" Flat Trim *Semi-Recessed* -1-1/2" Square Trim, 2-1/2", 4" or 4-1/2" Rolled Edge. Rolled edge models are constructed of mechanically-joined extrusions. 1-3/4" face trim on frame and 1-1/4" trim on doors with glazing. ADA-compliant models in [blue](#).

**Tub:** The tub is constructed of cold rolled steel with white powder-coat finish standard. Fire-resistant material is attached to the exterior of the tub. ***Please note that dimensions for wall opening have changed. See Chart Below.***

**Shelf:** Shelf is located 9" from the top of the cabinet, providing storage for the blanket above the extinguisher.

**Blanket:** Includes a nominal 62" x 80" x 2.75 lb., processed wool/synthetic fire blanket which meets the Flammable Fabrics Act: Flammability of Clothing Textiles, Title 16, CFR1610.

**Fire-Rating:** Fire-FX2™ cabinets are fabricated in accordance with the UL label for one and two hour combustable and non-combustible wall system building codes. The fire testing has met the requirement of ANSI/UL 1479 (ASTM –E814) and ULC/CAN S115-for membrane and penetration firestops. Installation instructions must be strictly adhered to in order to obtain the fire rating.



**Model 327F10 FX2**

[BIM Objects for REVIT® Platform](#)

Links: [Decals/Die Cuts & Wall Signs](#), [Handles & Levers](#), [Alarms](#)

**STEP 1: Select Model Number, Size & Quantity** (Refer to Chart Below)

**STEP 2: Select Door Style:**

- F10** Full Acrylic Glazing w/Pull     **G10** Full Acrylic Glazing w/SAF-T-LOK™ & Pull     **S21** Solid Door w/Pull     **L22** Solid Door w/Saf-T-Lok® & Pull
- F17** Full Tempered Glass Door & Pull     **V10** Vert. Duo Acrylic & Pull     **W10** Vert. Duo Acrylic w/SAF-T-LOK™ & Pull
- W17** Vert. Duo w/SAF-T-LOK™ & Pull     **F13** Full WS Glass Door & Pull (Wire Glass with Safety Film)

**STEP 3: Optional Features at Additional Cost:**

- |  |  |  |
|--|--|--|
| <input type="checkbox"/> Color Anodizing: ___ Light ___ Med ___ Dark (pull to match) | <input type="checkbox"/> Futura "Fire" Handle                            | <input type="checkbox"/> White Vertical FE Letters LDCVWFE   |
| <input type="checkbox"/> Color Tub - Red   | <input type="checkbox"/> Flush Pull Handle                               | <input type="checkbox"/> Black Horizontal FE Letters LDCHBFE |
| <input type="checkbox"/> Color Tub - Black   | <input type="checkbox"/> "Fire Blanket" Letters - Red Horizontal LDCHRFB | <input type="checkbox"/> Red Horizontal FE Letters LDCHRFE   |
| <input type="checkbox"/> Brigadier Alarm   | <input type="checkbox"/> Black Vertical FE Letters LDCVBF                | <input type="checkbox"/> White Horizontal FE Letters LDCHWFE |
| <input type="checkbox"/> Commander Alarm <a href="#">View Alarms</a>                 | <input type="checkbox"/> Red Vertical FE Letters LDCVRFE                 | <a href="#">View Anodized Colors Online</a>                  |

QTY	TRIM & DOOR & SERIES #		TUB I.D.			FRAME O.D.		FX Wall Opening New Dimensions 2015 - Please Note			Fits Extinguishers <a href="#">View Submittal</a>
	Model	Trim Style	A	B	C	E	F	W	H	D	
	3625	Flat Trim	12"	36"	8"	15-3/8"	39-3/8"	14 5/16"	38 5/16"	8 15/16"	Cosmic & Galaxy 2.5-10, Mercury 2.5-15 1/2,  Sentinel 5-10, Saturn 15-25, Grenadier P.
	3626	1-1/2" Square Edge	12"	36"	8"	15-3/8"	39-3/8"	14 5/16"	38 5/16"	7 11/16"	
	3627	2-1/2" Rolled Edge	12"	36"	8"	15-3/8"	39-3/8"	14 5/16"	38 5/16"	7 5/16"	
	3622	4" Rolled Edge—ADA Pull	12"	36"	8"	15-3/8"	39-3/8"	14 5/16"	38 5/16"	5 13/16"	
	3628	4-1/2" Rolled Edge	12"	36"	8"	15-3/8"	39-3/8"	14 5/16"	38 5/16"	5 5/16"	



JL INDUSTRIES



3600 AND FX2 ARE TRADEMARKS OF ACTIVAR

PLEASE DOWNLOAD THE MOST CURRENT SUBMITTAL FROM WEBSITE BEFORE ORDERING

Distributor: _____	Quantity: _____
Contractor: _____	Approved By: _____
Model #: _____	Architect: _____
Project: _____	Date: _____

10/5/2015

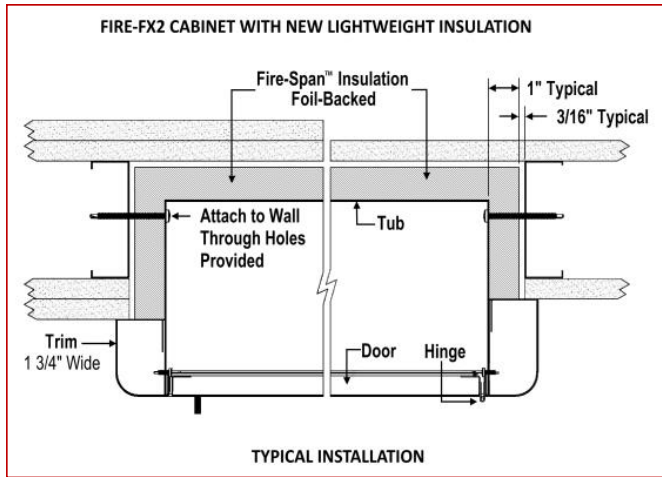
© Activar Construction Products Group, Inc 2015



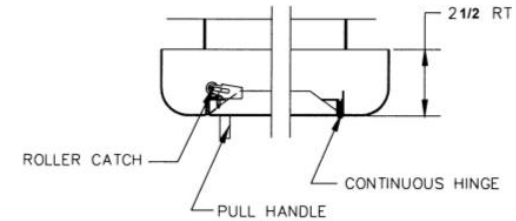
**FOR MORE INFORMATION CALL 1-888-926-1365**

Superior Specialty Supply • 9 Council Drive • PO Box 417 • Woodsboro, MD 21798 • [www.sssupply.com](http://www.sssupply.com)

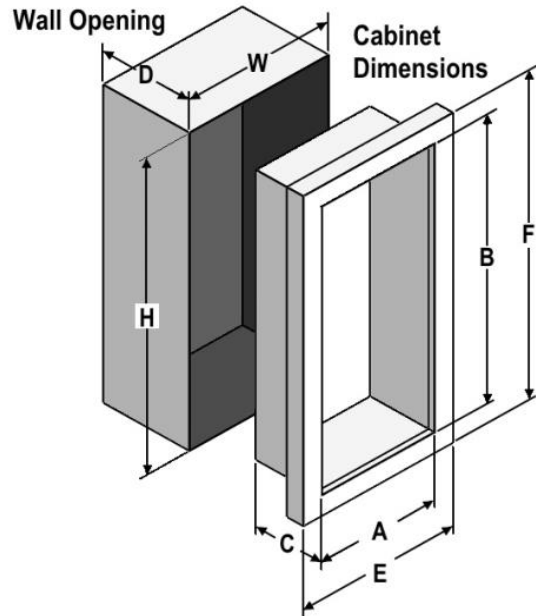
**SUBMITTAL: 3600 SERIES FIRE-FX2™ FIRE-RATED BLANKET/EXTINGUISHER CABINET - ALUMINUM PG 2 OF 2**



**FX2 Wall Opening**  
**New Dimensions in 2015 - Please Note**



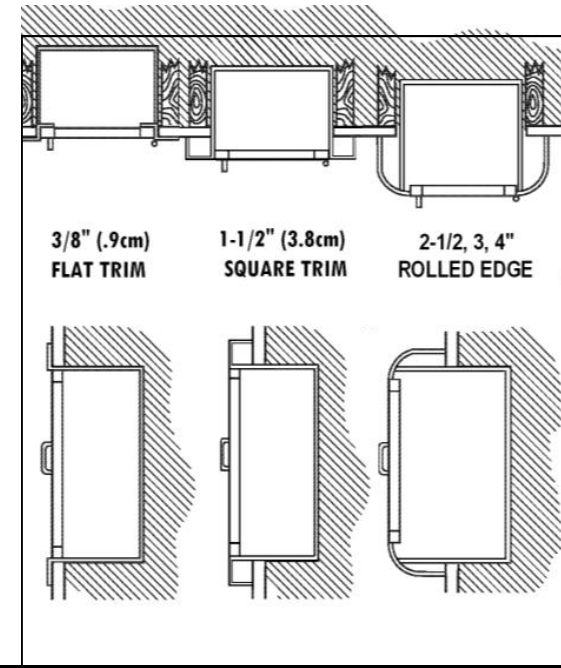
**Model 3627F10FX2 Shown Above**  
 4" or 4-1/2" Rolled Trim



New Lighter, FX2 Insulation



**Extruded Rolled Edge**  
 3627, 3622, 3728



**FOR MORE INFORMATION CALL 1-888-926-1365**

**Superior Specialty Supply • 9 Council Drive • PO Box 417 • Woodsboro, MD 21798 • [www.sssupply.com](http://www.sssupply.com)**