

SUBMITTAL: 3600 FIRE-FX2™ FIRE-RATED BLANKET & EXTINGUISHER CABINET - STEEL PG 1 OF 2

Door and Trim Construction: Cold rolled steel with white powder-coat finish. Flush cabinet doors with a 5/8" door stop are attached by a continuous hinge and equipped with zinc-plated handle and roller catch. Full glazed front with pull handle.

Trim Style and Depth: Flat Trim, 1-1/2" Square Edge or 2-1/2", 4" or 4-1/2" Rolled Edge, 1-3/4" face trim on frame and 1-1/4" trim on door.

Tub: The tub is constructed of cold rolled steel with white powder-coat finish standard. Fire-resistant material is attached to the exterior of the tub

Please note that dimensions for wall opening have changed in 2015. See Chart below.

Shelf: Shelf is located 9" from the top of the cabinet, providing storage for the blanket above the extinguisher.

Blanket: Includes a nominal 62" x 80" x 2.75 lb., processed wool/synthetic fire blanket which meets the Flammable Fabrics Act: Flammability of Clothing Textiles, Title 16, CFR1610

Fire-Rating: Fire-FX2™ cabinets are fabricated in accordance with the UL label for one and two hour combustable and non-combustible wall system building codes. The fire testing has met the requirement of ANSI/UL 1479 (ASTM –E814) and ULC/CAN S115-for membrane and penetration firestops. Installation instructions must be strictly adhered to in order to obtain the fire rating.



Model 3616F10FX2 with 1-1/2" Square Trim

STEP 1: SELECT DOOR STYLE WITH HANDLE

- F Full Glazing in 1-1/4" wide Frame
- G Full Glazing with SAF-T-LOK™ in 1-1/4" Frame
- D Horizontal Duo Panel
- E Horizontal Dual Panel with SAF-T-LOK™
- S21 Solid Door

Check one box below Examples on Page 2

- L22 Solid with SAF-T-LOK™
- L24 Solid with Cylinder Lock - No Handle
- V Vertical Duo
- W Vertical Duo with SAF-T-LOK™
- B Solid with 2" x 4" View Window & SAF-T-LOK™

STEP 2: SELECT DOOR GLAZING

- 10 Clear Acrylic
- 17 Clear Tempered Glass

STEP 3: Optional Features at Additional Cost:

- | | | |
|--|--|--|
| <input type="checkbox"/> Color Tub - Red | <input type="checkbox"/> Brigadier Alarm | <input type="checkbox"/> Red Vertical FE Letters LDCVRFE |
| <input type="checkbox"/> Color Tub - Black | <input type="checkbox"/> "Fire Blanket" Letters - Red Horizontal LDCHRFB | <input type="checkbox"/> White Vertical FE Letters LDCVWFE |
| <input type="checkbox"/> Color Door/Trim - Red | <input type="checkbox"/> Futura "Fire" Handle | <input type="checkbox"/> Black Horizontal FE Letters LDCHBFE |
| <input type="checkbox"/> Color Door/Trim - Black | <input type="checkbox"/> Flush Pull Handle | <input type="checkbox"/> Red Horizontal FE Letters LDCHRFE |
| <input type="checkbox"/> Commander Alarm | <input type="checkbox"/> Black Vertical FE Letters LDCVBF E | <input type="checkbox"/> White Horizontal FE Letters LDCHWFE |
| <input type="checkbox"/> (MC) Magnetic Catch | | |

[BIM Objects for REVIT® Platform](#)

Links: [Decals/Die Cuts & Wall Signs](#), [Handles & Levers](#), [Alarms](#)

ADA-compliant models in blue.

QTY	TRIM & DOOR & SERIES #		TUB I.D.			FRAME O.D.		FX Wall Opening New Dimensions in 2015			Fits Extinguishers View Submittal
	Model	Trim Style	A	B	C	E	F	W	H	D	View extinguisher Submittal
	3615	Flat Trim	12"	36"	8"	15-3/8"	39-3/8"	14 5/16"	38 5/16"	8 15/16"	View extinguisher Submittal
	3616	1-1/2" Square Edge	12"	36"	8"	15-3/8"	39-3/8"	14 5/16"	38 5/16"	7 11/16"	Cosmic & Galaxy 2.5-10, Any Mercury
	3617	2-1/2" Rolled Edge	12"	36"	8"	15-3/8"	39-3/8"	14 5/16"	38 5/16"	6 11/16"	Sentinel 5-10, Saturn 15-25, Grenadier P.
	3612	4" Rolled Edge - Recessed Pull	12"	36"	8"	15-3/8"	39-3/8"	14 5/16"	38 5/16"	5 3/16"	
	3618	4-1/2" Rolled Edge	12"	36"	8"	15-3/8"	39-3/8"	14 5/16"	38 5/16"	4 11/16"	

<p>ACTIVAR INC. CONSTRUCTION PRODUCTS GROUP</p> <p>3600, FIRE-FX2 AND SAF-T-LOK ARE TRADEMARKS OF ACPG PLEASE DOWNLOAD THE MOST CURRENT SUBMITTAL FROM WEBSITE BEFORE ORDERING</p>	Distributor:	Quantity:
	Contractor:	Approved By:
	Model #:	Architect:
	Project:	Date:

3/20/2017

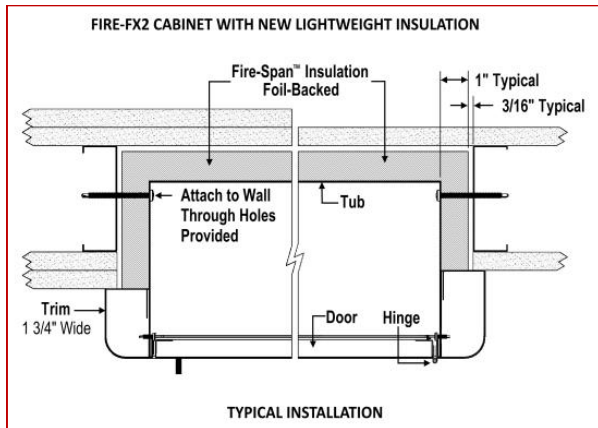
© 2017 Activar Construction Products, Inc.



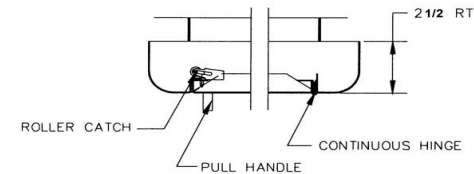
FOR MORE INFORMATION CALL 1-888-926-1365

Superior Specialty Supply • 9 Council Drive • PO Box 417 • Woodsboro, MD 21798 • www.sssupply.com

SUBMITTAL: 3600 FIRE-FX2 FIRE-RATED BLANKET & EXTINGUISHER CABINET - STEEL PAGE 2 OF 2

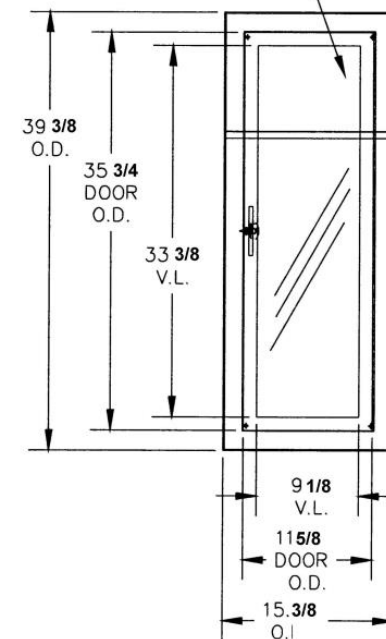
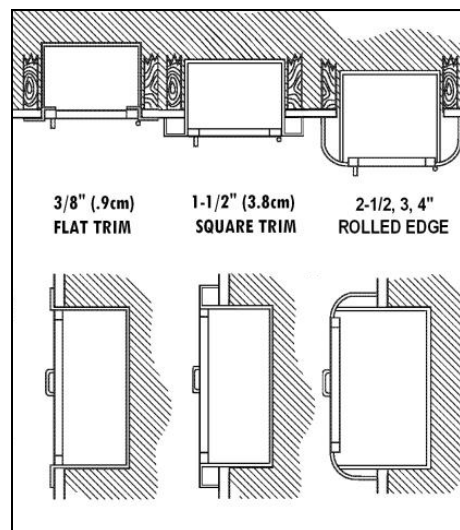
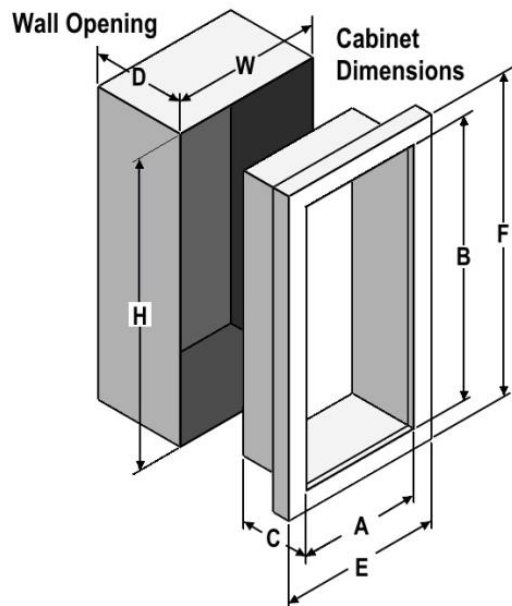


New Lighter, FX2 Insulation



Model 3617F10FX2 Shown Above

20 GA CRS FULL-GLASS DOOR W/.09" ACRYLIC GLAZING (SP-12768) PULL HANI



FOR MORE INFORMATION CALL 1-888-926-1365

Superior Specialty Supply • 9 Council Drive • PO Box 417 • Woodsboro, MD 21798 • www.sssupply.com