

SUBMITTAL: CAVALIER™ FIRE EXTINGUISHER CABINET

Select the Beauty and Upscale Finish of Bronze or Brass to add that “High End” Look to Your Next Project.

Door and Trim Construction: Cabinets are available in US 10 satin bronze or US 3 polished brass. Flush cabinet doors with a 5/8” door stop are attached by a continuous hinge and equipped with zinc-plated handle that is painted to match the finish, and roller catch. All models have 1-3/4” wide trim on frame and 1-1/4” trim on doors with glazing. Can also be ordered with our theft-deterrent Saf-t-Lok™ which features a cylinder lock with a plastic cam allowing the door to be opened with a sharp tug.

Trim Style and Depth: Recessed - 3/8” flat trim. Semi-Recessed - 1 1/4”, 1 1/2” Square Edge or 3” Rolled Edge. Surface-mount has a square edge.

Tub: Constructed of cold rolled steel with white powder-coat finish standard. Surface mount cabinets are the same finish as the trim.

Fire-Rated Option Available: Yes - [See Separate Submittal](#)

STEP 1: SELECT MODEL NUMBER AND QUANTITY ON CHART (refer to chart on page 2)

- A. Determine Trim Style according to wall depth.
- B. Determine Tub I.D. according to size most suited for extinguisher and wall opening.

STEP 2: Select Door Style Below: (See page 2)

Door Styles (with handle)

<input type="checkbox"/> F	Full Glazing	<input type="checkbox"/> S21	Solid	<input type="checkbox"/> V	Vertical Duo
<input type="checkbox"/> G	Full Glazing & Saf-t-Lok™	<input type="checkbox"/> L22	Solid & Saf-T-Lok™	<input type="checkbox"/> W	Vertical Duo & Saf-T-Lok™
<input type="checkbox"/> D	Horizontal Duo Panel	<input type="checkbox"/> L24	Solid with Cylinder Lock & No Handle		
<input type="checkbox"/> E	Horizontal Duo Panel & Saf-T-Lok™	<input type="checkbox"/> B10	Solid with 2"x4" Glass & Saf-T-Lok™		



1855V10



1847S21

[BIM Objects for REVIT® Platform](#)

STEP 3: Select Door Glazing Below


<input type="checkbox"/> 10	Clear Acrylic	<input type="checkbox"/> 15	Bronze Acrylic	<input type="checkbox"/> 17	Clear Tempered Glass
<input type="checkbox"/> 13	Clear Wire Glass w/Safety Film	<input type="checkbox"/> 16	Gray Acrylic	<input type="checkbox"/> 18	Laminated Safety Glass

Options at Additional Cost (Select Any)

<input type="checkbox"/> Futura Embossed “Fire” Handle in Mill, White or Red	<input type="checkbox"/> Bronze Door & Trim: US9 Bright Polished	<input type="checkbox"/> FE Diecut Letters - Black Vertical
<input type="checkbox"/> Flush Pull	<input type="checkbox"/> Brass Door & Trim: US4 Satin	<input type="checkbox"/> FE Diecut Letters– Red Vertical
<input type="checkbox"/> Panorama-Style Full Acrylic Door Style: _____	<input type="checkbox"/> Bronze Door & Trim: US10B Oil-Rubbed	<input type="checkbox"/> FE Diecut Letters - White Vertical
<input type="checkbox"/> Optional Color Tub		<input type="checkbox"/> FE Diecut Letters - Black Horizontal
<input type="checkbox"/> Etched Lettering in Glass	View Metal Finishes Here	<input type="checkbox"/> FE Diecut Letters - Red Horizontal

[View Alarms](#)

- (CA) Commander Alarm
- (BA) Brigadier Alarm
- (SA) Strobe Alarm (surface mt)

 ACTIVAR INC. CONSTRUCTION PRODUCTS GROUP	Distributor:	Quantity:
	Contractor:	Approved By:
	Model #:	Architect:
	Project:	Date:
© 2017 Activar Construction Products Inc		

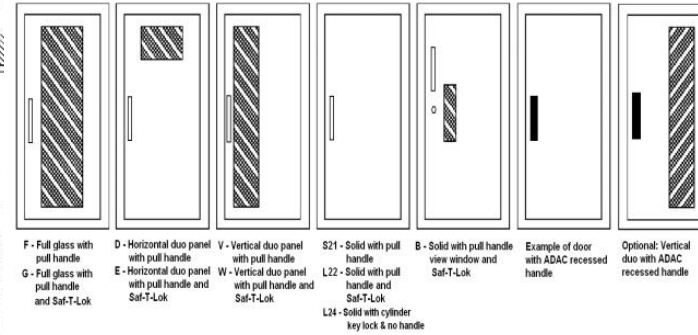
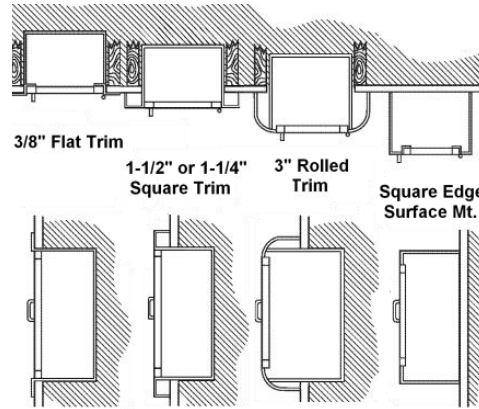
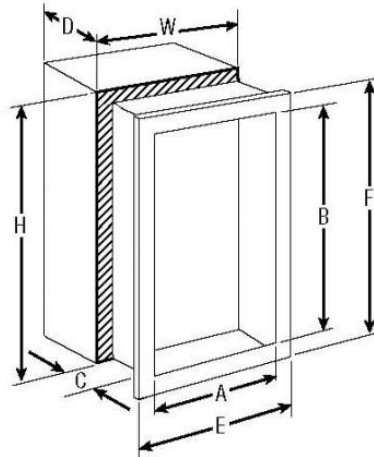
3/17/17



FOR MORE INFORMATION CALL 1-888-926-1365

Superior Specialty Supply • 9 Council Drive • PO Box 417 • Woodsboro, MD 21798 • www.sssupply.com

SUBMITTAL: CAVALIER FIRE EXTINGUISHER CABINET



Trim and Door Material and Series #						Tub I.D.			Frame O.D.		Wall Opening: Non-Rated			Accommodates Following Extinguishers	
QTY	US10 Satin Bronze	QTY	US10B Oil- rubbed	QTY	US3 Polished Brass	Trim Style	A	B	C	E	F	W	H	D	
	1845		1885		1855	Flat Trim •	10 1/2	24	5 1/2	13 7/8	27 3/8	11 1/2	25	5 3/8	Cosmic & Galaxy 2
	1846		1886		1856	1 1/2" Square •	10 1/2	24	5 1/2	13 7/8	27 3/8	11 1/2	25	4 1/8	1/2-6 (6lb must be mounted on tub)
	1847		1887		1857	3" Rolled •	10 1/2	24	5 1/2	13 7/8	27 3/8	11 1/2	25	2 5/8	Mercury 2 1/2, 5
	1045		1085		1055	Flat Trim •	10 1/2	24	6	13 7/8	27 3/8	11 1/2	25	5 7/8	Cosmic & Galaxy 2 1/2-10 Sentinel 5, Mercury 2 1/2, 5
	1046		1086		1056	1 1/2" Square •	10 1/2	24	6	13 7/8	27 3/8	11 1/2	25	4 5/8	
	1047		1087		1057	3" Rolled •	10 1/2	24	6	13 7/8	27 3/8	11 1/2	25	3 1/8	
	1043		1083		1053	Surf. Mt Square	13 11/16	27 3/16	6 1/2	13 7/8	27 3/8	--	--	--	
	2045		2085		2055	Flat Trim •	12	27	7 3/4	15 3/8	30 3/8	13	28	7 5/8	Any Cosmic or Galaxy (20 lb must be mounted on tub), Mercury, Saturn or Grenadier P, Sentinel 5, 10
	2046		2086		2056	1 1/4" Square •	12	27	7 3/4	15 3/8	30 3/8	13	28	6 5/8	
	2043		2083		2053	Surf. Mt Square	15 3/16	30 3/16	8 1/4	15 3/8	30 3/8	--	--	--	



2046V10
US10B Oil-Rubbed
Finish with
White Vertical Decal
Letters

• Models in Blue Meet 4" Maximum ADA Projection Requirement



FOR MORE INFORMATION CALL 1-888-926-1365

Superior Specialty Supply • 9 Council Drive • PO Box 417 • Woodsboro, MD 21798 • www.sssupply.com