

SUBMITTAL: CAVALIER FX2™ BRONZE AND BRASS FIRE-RATED EXTINGUISHER CABINET

Select the Beauty and Upscale Finish of Bronze or Brass to add a Luxurious Look to Your Next Project.

Door and Trim Construction: Cabinets are available in US 10 satin bronze or US 3 polished brass. Flush cabinet doors with a 5/8" door stop are attached by a continuous hinge and equipped with zinc-plated handle that is painted to match the finish, and roller catch. All models have 1-3/4" wide trim on frame and 1-1/4" trim on doors with glazing. Can also be ordered with our theft-deterrent Saf-t-Lok™ which features a cylinder lock with a plastic cam allowing the door to be opened with a sharp tug.

Trim Style and Depth: Recessed - 3/8" flat trim. Semi-Recessed - 1 1/4", 1 1/2" Square Edge or 3" Rolled Edge. Surface-mount has a square edge.

Tub: The tub is constructed of cold rolled steel with white powder-coat finish standard. Fire-resistant material is attached to the exterior of the tub. Please note that dimensions for wall opening have changed on 1/23/15. See Chart on pg 2.

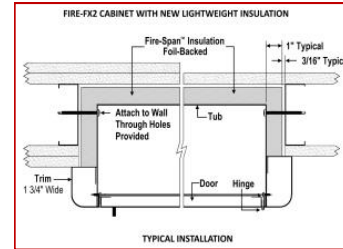
Fire-Rating: Fire-FX2™ cabinets are fabricated in accordance with the UL label for one and two hour combustable and non-combustible wall system building codes. The fire testing has met the requirement of ANSI/UL 1479 (ASTM –E814) and ULC/CAN S115-for membrane and penetration firestops. Installation instructions must be strictly adhered to in order to obtain the fire rating.



1855S21FX2



1847S21FX2



STEP 1: SELECT MODEL NUMBER AND QUANTITY ON CHART (refer to chart on page 2)

A. Determine Trim Style according to wall depth. B. Determine Tub I.D. according to size most suited for extinguisher and wall opening.

STEP 2: Select Door Style with Pull Below: (See page 2 to view styles)

<input type="checkbox"/> F	Full Glazing	<input type="checkbox"/> S21	Solid	<input type="checkbox"/> V	Vertical Duo
<input type="checkbox"/> G	Full Glazing & Saf-t-Lok™	<input type="checkbox"/> L22	Solid & Saf-T-Lok™	<input type="checkbox"/> W	Vertical Duo & Saf-T-Lok™
<input type="checkbox"/> D	Horizontal Duo Panel	<input type="checkbox"/> L24	Solid with Cylinder Lock & No Handle		
<input type="checkbox"/> E	Horizontal Duo Panel & Saf-T-Lok™	<input type="checkbox"/> B10	Solid with Glass Insert & Saf-T-Lok™		

STEP 3: Select Door Glazing Below

<input type="checkbox"/> 10	Clear Acrylic	<input type="checkbox"/> 15	Bronze Acrylic	<input type="checkbox"/> 17	Clear Tempered Glass
<input type="checkbox"/> 13	Clear Wire Glass w/Safety Film	<input type="checkbox"/> 16	Gray Acrylic	<input type="checkbox"/> 18	Laminated Safety Glass

[BIM Objects for REVIT® Platform](#)

Options at Additional Cost (Select Any)

<input type="checkbox"/> Futura Embossed "Fire" Handle in Mill, White or Red	<input type="checkbox"/> Bronze Door & Trim: US9 Bright Polished	<input type="checkbox"/> FE Diecut Letters - Black Vertical
<input type="checkbox"/> ADA Flush Pull	<input type="checkbox"/> Bronze Door & Trim: US10B Oil-rubbed	<input type="checkbox"/> FE Diecut Letters- Red Vertical
<input type="checkbox"/> Panorama-Style Full Acrylic Door . Style: _____	<input type="checkbox"/> Brass Door & Trim: US4 Satin	<input type="checkbox"/> FE Diecut Letters - White Vertical
<input type="checkbox"/> Optional Color Tub	<input type="checkbox"/> (CA) Commander Alarm	<input type="checkbox"/> FE Diecut Letters - Black Horizontal
<input type="checkbox"/> Etched Lettering in Glass	<input type="checkbox"/> (BA) Brigadier Alarm	<input type="checkbox"/> FE Diecut Letters - Red Horizontal

[View Metal Finishes Here](#)

[View Alarms](#)

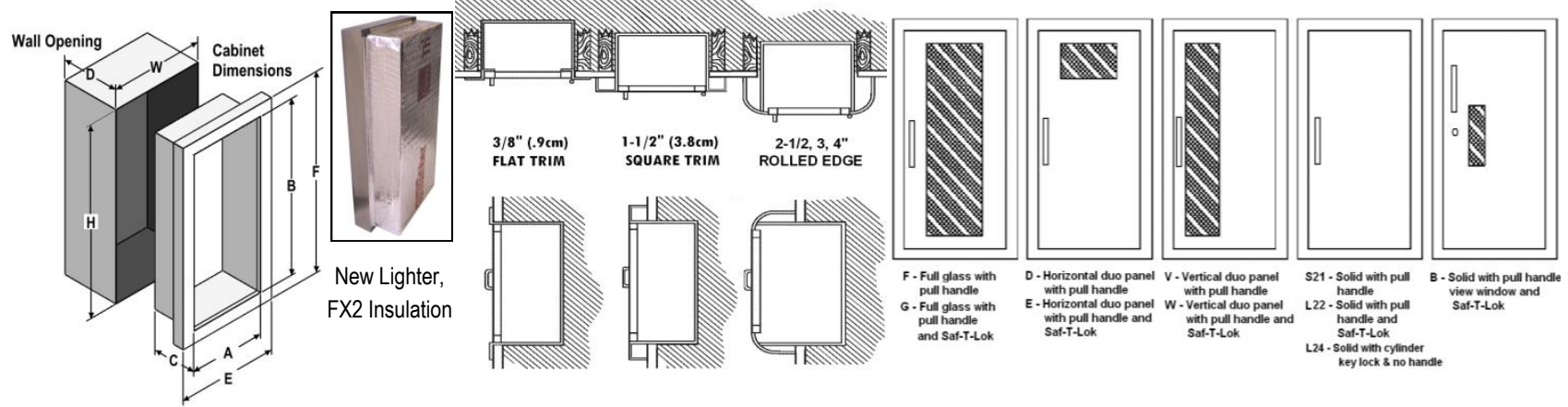
<p>ACTIVAR INC. Construction Products Group www.activarcpg.com</p> <p>COSMOPOLITAN FX2 AND SAF-T-HATCH ARE TRADEMARKS OF ACTIVAR PLEASE DOWNLOAD THE MOST CURRENT SUBMITTAL FROM WEBSITE BEFORE ORDERING</p>	Distributor:	Quantity:
	Contractor:	Approved By:
	Model #:	Architect:
	Project:	Date: © Activar Construction Products Group, Inc 2015
8/28/2015		



FOR MORE INFORMATION CALL 1-888-926-1365

Superior Specialty Supply • 9 Council Drive • PO Box 417 • Woodsboro, MD 21798 • www.sssupply.com

SUBMITTAL: CAVALIER FX2 FIRE-RATED EXTINGUISHER CABINET **Please Note! New Wall Opening Dimensions** PAGE 2 OF 2



Trim and Door Material and Series #		Tub I.D.			Frame O.D.		FX Wall Opening New Dimensions 2015 - Please Note			Accommodates Following Extinguishers					
QTY	US10 Satin Bronze	QTY	US10B Oil Rubbed Bronze	QTY	US3 Polished Brass	Trim Style	A	B	C	E	F	W	H	D	
	1845		1885		1855	Flat Trim	10 1/2	24	5 1/2	13 7/8	27 3/8	12 13/16	26 5/16	6 7/16	Cosmic & Galaxy 2 1/2-6 Mercury 2 1/2, 5
	1846		1886		1856	1 1/2" Square	10 1/2	24	5 1/2	13 7/8	27 3/8	12 13/16	26 5/16	5 13/16	
	1847		1887		1857	3" Rolled	10 1/2	24	5 1/2	13 7/8	27 3/8	12 13/16	26 5/16	3 5/8	
	1045		1085		1055	Flat Trim	10 1/2	24	6	13 7/8	27 3/8	12 13/16	26 5/16	6 15/16	Cosmic & Galaxy 2 1/2-10 Sentinel 5, Mercury 2 1/2, 5
	1046		1086		1056	1 1/2" Square	10 1/2	24	6	13 7/8	27 3/8	12 13/16	26 5/16	5 11/16	
	1047		1087		1057	3" Rolled	10 1/2	24	6	13 7/8	27 3/8	12 13/16	26 5/16	4	
	2045		2085		2055	Flat Trim	12	27	7 3/4	15 3/8	30 3/8	14 5/16	29 5/16	8 11/16	Any **Cosmic, Any **Galaxy, Mercury, Saturn or Grenadier P, Sentinel 5, 10
	2046		2086		2056	1 1/4" Square	12	27	7 3/4	15 3/8	30 3/8	14 5/16	29 5/16	7 11/16	



2048V10FX2
US10B Oil-Rubbed
Finish with White
Vertical Diecut Letters

All Cavalier FX Models Noted in Blue Text are ADA-Compliant
* Cosmic & Galaxy 20 must be mounted on the back of the cabinet tub.



FOR MORE INFORMATION CALL 1-888-926-1365
Superior Specialty Supply • 9 Council Drive • PO Box 417 • Woodsboro, MD 21798 • www.sssupply.com