

SUBMITTAL: DECORLINE™ STEEL OR ALUMINUM FIRE EXTINGUISHER CABINET

The Decorline Series offers an Economical Solution for Interior or Exterior Applications. Choose from 2-1/2", 3" or 4-1/4" Trim or a Surface-mounted Design, Side Opening Door or Slide-in Acrylic.

Construction: Cold rolled steel tub for interior use, or rust-resistant aluminum for exteriors. Select from 2 durable powder-coat finishes.

Trim: Models with trim feature 2" wide trim in either 2.5", 3" or 4.25" depth, depending on model.

Door: Models with "AN" designation have slide-in acrylic front secured by clips. All other models have frame door on continuous hinges.

Fire-rated Option: No

Select Color: ___ (GH) Gray Hammertone (standard option) ___ (WH) White Hammertone (standard option) ___ [Other colors - See Color Chart](#)

OPTIONS AT ADDITIONAL COST:

- | | |
|--|---|
| ___ Brass Padlock (Models "AN" only) | ___ Abus Padlock (Models "AN" only) |
| ___ 1123 Clear Acrylic for 511AN & 512AN Series | ___ 1124 Clear Acrylic for 521AN & 522AN Series |
| ___ 11100082 Clear Acrylic for 5017, 5027, 5019, 5029 Series | ___ 11233 Clear Acrylic for 631 Series |
| ___ 1100145 Clear Acrylic for 5117, 5127, 5119, 5129 Series | ___ 1122 Clear Acrylic for 501AN & 502AN Series |




501AN20-5228N20
2.5" Trim



5017G20 or 5117G20
3" Trim

QTY	# per Carton	Trim & Door Material and Series #				Tub I.D.			Frame O.D.		Wall Opening			Accommodates Following Extinguishers		
		Steel	Aluminum	Prev. Model	Wt in lbs	Door Style	Trim Style	W	H	D	E	F	W		H	D
	2	631AN20	--	928X	14	Slide-in Acrylic Front	3" Trim	9 1/8	28	4 1/2	12 1/8	31	9 1/4	28 1/4	2	Cosmic 2-1/2, 5, Galaxy 2-1/2, 5, 5-1/2, Mercury 2-1/2, 5
	2	501AN20	502AN20	818T	19/15	Slide-in Acrylic Front w Breaker Bar	3" Trim	8 1/8	18	5 1/2	11 1/4	21 1/4	9	19	4	Cosmic& Galaxy 2-1/2, 5, 5-1/2, 6,Mercury 2-1/2, 5, Sentinel 5
	2	511AN20	512AN20	924T	23/18		3" Trim	9 1/8	24	5 1/2	12 1/8	27	10	25	4	
	2	521AN20	522AN20	1028T	29/22		3" Trim	10 1/8	28	8 1/4	13 1/8	31	11	29	6	Any Cosmic, Galaxy, Mercury, Saturn, Grenadier P, Sentinel 5
	2	5218N20	5228N20	1028T4	29/22		4.25" Trim	10 1/8	28	8 1/4	13 1/8	31	11	29	4	
	2	5017F20	5027F20	818TDH	19/15	Door w/ Continuous Hinge, Acrylic Window, Handle	3" Trim	8 1/8	18	5 1/2	11 1/4	21 1/4	9	19	3 1/4	Cosmic 2-1/2, 5, 6, Galaxy 2-1/4, 5, 5-1/2, Mercury 2-1/2, 5
	2	5019F20	5029F20	818DH	14/10		Surface Mtd.	8 1/8	18	5 1/2	8 1/8	18	--	--	--	
	2	5117F20	5127F20	924TDH	23/18		3" Trim	9	23 7/8	5 5/8	12 1/4	27 1/4	10	25	3 1/4	Cosmic 2-1/2, 5, 6,10, Galaxy 2-1/2,5, 5-1/2, 6,10, Mercury 2-1/2, 5,11,15-1/2,15, Sentinel 5
	2	5119F20	5129F20	924DH	20/15		Surface Mtd.	9	23 7/8	5 5/8	9 1/8	24	--	--	--	
	2	5017G20	5027G20	818TDL	19/15	Door w/ Continuous Hinge, Acrylic Window,Handle, Saf-T-Lok	3" Trim	8 1/8	18	5 1/2	11 1/4	21 1/4	9	19	3 1/4	Cosmic 2-1/2, 5, 6, Galaxy 2-1/4, 5, 5-1/2, Mercury 2-1/2, 5
	2	5019G20	5029G20	818DL	14/10		Surface Mtd.	8 1/8	18	5 1/2	8 1/8	18	--	--	--	
	2	5117G20	5127G20	924TDL	23/18		3" Trim	9	23 7/8	5 5/8	12 1/4	27 1/4	10	25	3 1/4	Cosmic 2-1/2, 5, 6,10, Galaxy 2-1/2, 5, 5-1/2, 6,10, Mercury 2-1/2, 5, 11,15-1/2,15, Sentinel 5
	2	5119G20	5129G20	924DL	20/15		Surface Mtd.	9	23 7/8	5 5/8	9 1/8	24	--	--	--	
	2	5017S21	--	818TDHS	19	Solid Door w/ Continuous Hinge, Handle	3" Trim	8 1/8	18	5 1/2	11 1/4	21 1/4	9	19	3 1/4	Cosmic 2-1/2, 5, 6, Galaxy 2-1/4, 5, 5-1/2, Mercury 2-1/2, 5
	2	5019S21	5029S21	818DHS	14/10		Surface Mtd.	8 1/8	18	5 1/2	8 1/8	18	--	--	--	
	2	5117S21	5127S21	924TDHS	23/18		3" Trim	9	23 7/8	5 5/8	12 1/4	27 1/4	10	25	3 1/4	Cosmic 2-1/2, 5, 6,10, Galaxy 2-1/2,5, 5-1/2, 6,10, Mercury 2-1/2, 5,11,15-1/2,15, Sentinel 5
	2	5119S21	5129S21	924DHS	20/15		Surface Mtd.	9	23 7/8	5 5/8	9 1/8	24	--	--	--	

 <p>ACTIVAR INC. CONSTRUCTION PRODUCTS GROUP DECORLINE IS A TRADEMARK OF ACTIVAR PLEASE DOWNLOAD MOST CURRENT SUBMITTAL FROM WEBSITE BEFORE ORDERING</p>	Distributor:	Quantity:
	Contractor:	Approved By:
	Model #:	Architect:
	Project:	Date: © Activar Construction Products 2016
6/8/2016		



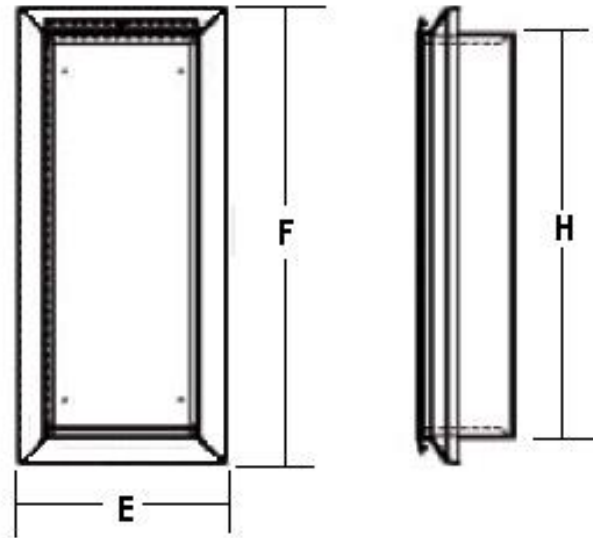
FOR MORE INFORMATION CALL 1-888-926-1365

Superior Specialty Supply • 9 Council Drive • PO Box 417 • Woodsboro, MD 21798 • www.sssupply.com

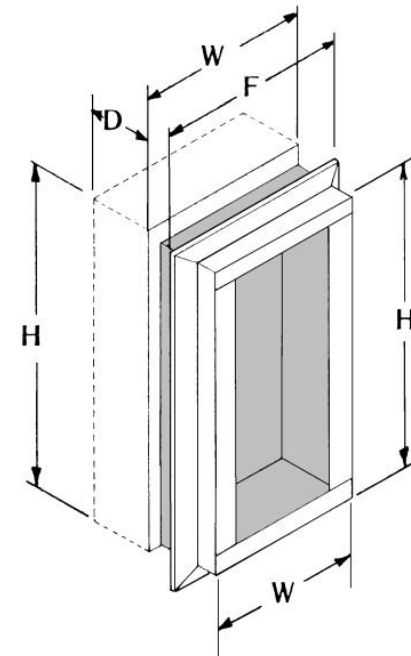
SUBMITTAL: DECORLINE STEEL OR ALUMINUM FIRE EXTINGUISHER CABINET



501AN20, 502AN20, 511AN20, 512AN20, 521AN20, 522AN20 2.5" Trim



Semi-Recessed Models with Trim



Semi-Recessed Models with Trim



5019S21, 5029S21, 5119S21, 5129S21
Surface-Mount



5019F20, 5029F20, 5119F20, 5129F20
Surface-Mount



5019G20, 5029G20, 5119G20, 5129G20
Surface-Mount



5017F20, 5027F20, 5117F20, 5127F20
3" Trim



5017G20, 5027G20, 5117G20, 5127G20
3" Trim



JL INDUSTRIES

ACTIVAR
INC.

www.activarcpg.com

Construction Products Group



FOR MORE INFORMATION CALL 1-888-926-1365

Superior Specialty Supply • 9 Council Drive • PO Box 417 • Woodsboro, MD 21798 • www.sssupply.com