

SUBMITTAL: CROWNLINE™ FIRE-FX2 VALVE & HOSE CABINETS - STEEL PG 1 OF 2

Fire-Rated Crownline Cabinets Provide A Wide Selection of Door Styles, Glazing and Sizes. These Durable Cabinets are Designed to Industry Standards for Fire Department Valves, Fire Hose Rack Units and Extinguishers.

Door & Trim: Cold rolled steel with white powder coat finish standard. 1-3/4" Trim on face and door. These flush cabinet doors are mounted in a 5/8" door stop, are attached by a continuous hinge and are equipped with zinc-plated handle and roller catch for all non-locking doors.

Trim Style and Depth: 1-3/4" face trim on frame and 1-1/4" trim on door. *Trimless Recessed* - for 5/8" depth drywall or 3/4" plaster. *Recessed* - 3/8" flat trim, *Semi-recessed* - 1-1/4" Square Edge or 2-1/2" Rolled Edge. All models meet ADA 4" projection requirement. See separate submittal for trimless models.

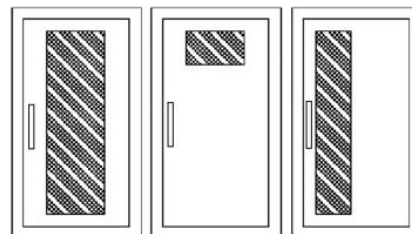
Knockouts: Knockouts are not provided on Fire-Rated Cabinets. Instructions for Knockouts in the field are provided and must be strictly adhered to, to maintain fire rating.

Special Features: Models 8013, 8015, 8016 & 8017 have a shelf 12" from the bottom of the cabinet and are designed to hold a fire extinguisher plus FD valve or other accessory. Those models can also be ordered without shelf to allow for lower mounting height of valve piping to meet NFPA10.

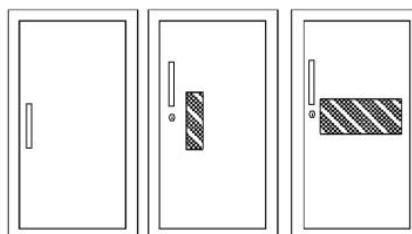
Tub: The tub is constructed of cold rolled steel with white powder-coat finish standard. Tub forms a flange to cover cut edges of wallboard material. Fire-resistant material is attached to the exterior of the tub.

Please note that dimensions for wall opening have changed on 1/23/15. See Chart on pg 2.

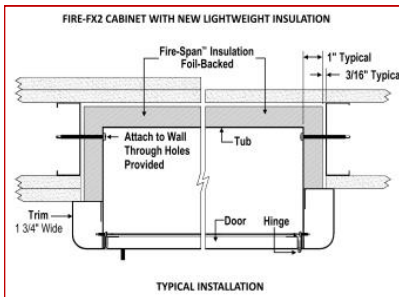
Fire-Rating: Fire-FX2™ cabinets are fabricated in accordance with the UL label for one and two hour combustible and non-combustible wall system building codes. The fire testing has met the requirement of ANSI/UL 1479 (ASTM –E814) and ULC/CAN S115-for membrane and penetration firestops. Installation instructions must be strictly adhered to in order to obtain the fire rating.



F - Full glass with pull handle
G - Full glass with pull handle & Saf-T-Lok
D - Horizontal duo panel with pull handle
E - Horizontal duo panel with pull handle & Saf-T-Lok
V - Vertical duo panel with pull handle
W - Vertical duo panel with pull handle & Saf-T-Lok



S21 - Solid with pull handle
L22 - Solid with pull handle & Saf-T-Lok
B - Solid with pull, small view window and Saf-T-Lok
A - Center duo panel with pull and Saf-T-Lok



STEP 1: SELECT MODEL NUMBER, TRIM & QUANTITY (Refer to Chart on Page 2)

STEP 2: SELECT DOOR STYLE WITH HANDLE (Check one box below)

- | | |
|---|--|
| <input type="checkbox"/> F Full Glazing | <input type="checkbox"/> L22 Solid with SAF-T-LOK™ |
| <input type="checkbox"/> G Full Glazing with SAF-T-LOK™ | <input type="checkbox"/> V Vertical Duo |
| <input type="checkbox"/> D Horizontal Duo Panel | <input type="checkbox"/> W Vertical Duo with SAF-T-LOK™ |
| <input type="checkbox"/> E Horizontal Duo Panel with SAF-T-LOK™ | <input type="checkbox"/> B10 Solid with Acrylic View Window & SAF-T-LOK™ |
| <input type="checkbox"/> A Center Duo Panel with SAF-T-LOK™ | <input type="checkbox"/> L24 Solid with Cylinder Lock & No Handle |
| <input type="checkbox"/> S21 Solid Door | View Door Styles |

STEP 3: SELECT DOOR GLAZING (Check one box below)

- | | |
|--|--|
| <input type="checkbox"/> 10 Clear Acrylic | <input type="checkbox"/> 16 Gray Acrylic |
| <input type="checkbox"/> 13 Clear Wire Glass with Wire Glass | <input type="checkbox"/> 17 Clear Tempered Glass |
| <input type="checkbox"/> 15 Bronze Acrylic | <input type="checkbox"/> 18 Laminated Safety Glass |

STEP 4: OPTIONAL FEATURES AT ADDITIONAL COST:

- | | | |
|---|---|---|
| <input type="checkbox"/> Optional Tub Color: ___ Black ___ Red | <input type="checkbox"/> PUF Futura "Fire" Handle | <input type="checkbox"/> Black Vertical FE Letters LDCVBF E |
| <input type="checkbox"/> (MC) Magnetic Catch—Replaces Roller Catch | <input type="checkbox"/> 0710 ADA Flush Pull Handle | <input type="checkbox"/> Red Vertical FE Letters LDCVRF E |
| <input type="checkbox"/> <u>Optional Color:</u> ___ Grey Hammertone | <input type="checkbox"/> P6 Polished Chrome Lever Handle | <input type="checkbox"/> White Vertical FE Letters LDCVWF E |
| ___ Red ___ Black ___ Flat Black ___ Sand | <input type="checkbox"/> FDVO Decal "Fire Dept Valve" Octagonal 6 x 6" | <input type="checkbox"/> Black Horizontal FE Letters LDCHBF E |
| ___ AMS Beige ___ SC Flat Beige ___ Bronze | <input type="checkbox"/> 1403 Decal "Fire Hose" Vert. Blk Bkgd, Red Letters 4 x 9 | <input type="checkbox"/> Red Horizontal FE Letters LDCHRF E |
| ___ Gray ___ Silver | <input type="checkbox"/> LDCHFV-R Diecut "Fire Dept Valve" Horiz. 10-1/4 x 4-3/8 | <input type="checkbox"/> White Horizontal FE Letters LDCHWF E |
| <input type="checkbox"/> CA Commander Alarm | <input type="checkbox"/> LDCVRFV Diecut "Fire Dept Valve" Vert 3/4" x 17" | <input type="checkbox"/> Etched Glass or Engraved Metal Lettering |
| <input type="checkbox"/> BA Brigadier Alarm | | |

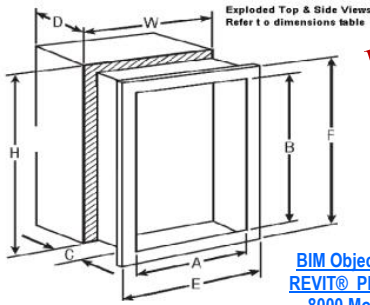
For More Options, Visit These Links to Separate Submittals: [Decals & Die Lettering](#), [Alarms](#), [Pulls & Levers](#), [Fire Extinguishers](#), [Fire Hose Racks](#)

<p>CROWNLINE AND SAF-T-LOK ARE TRADEMARKS OF ACTIVAR</p>	Distributor:	Quantity:
	Contractor:	Approved By:
	Model #:	Architect:
	Project:	Date:
	8/17/17	

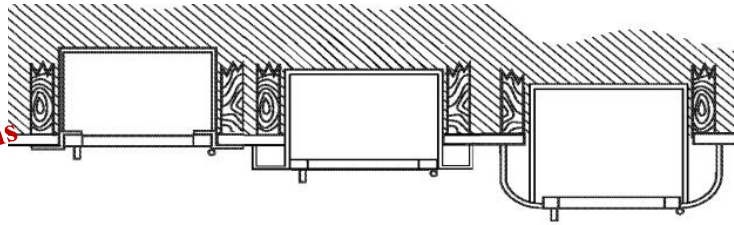


FOR MORE INFORMATION CALL 1-888-926-1365
 Superior Specialty Supply • 9 Council Drive • PO Box 417 • Woodsboro, MD 21798 • www.sssupply.com

SUBMITTAL: CROWLINE FIRE-FX2 VALVE & HOSE CABINETS - STEEL PG 2 OF 2



**Please Note!
New Wall
Opening
Dimensions**



BIM Objects for
REVIT® Platform
8000 Models

BIM Objects for
REVIT® Platform
6000/ 7000 Models

**3/8" (.9cm)
FLAT TRIM**

**1-1/4" (3.8cm)
SQUARE TRIM**

**2-1/2" (6.4cm)
ROLLED EDGE**

CABINET PROFILES

TRIM & DOOR MATERIAL & SERIES		TUB I.D. W x H x D in Inches			FRAME O.D.		FX Wall Opening New Dimensions 2015 - Please Note			RECOMMENDED HOSE RACK, FIRE DEPARTMENT VALVES & EXTINGUISHERS	
QTY	#	TRIM STYLE	A	B	C	E	F	Width	Height		Depth
Cabinets with Hose Rack & Extinguisher or Fire Department Valve											
	6015	FLAT TRIM 3/8"	24	30	6	27 3/8	33 3/8	26 5/16	32 5/16	6 15/16	HOSE RACK: 1- 1/2" x 1-1/2" Hose Rack Unit with 50 or 75' Hose (3005, 3105, 3007, 3107) & Cosmic 2½ or Galaxy 2½- 5 lb Extinguisher
	6016	1-1/4" SQUARE EDGE	24	30	6	27 3/8	33 3/8	26 5/16	32 5/16	5 15/16	
	6017	2-1/2" ROLLED EDGE	24	30	6	27 3/8	33 3/8	26 5/16	32 5/16	4 11/16	
	6215	FLAT TRIM 3/8"	24	34 3/4	6	27 3/8	38 1/8	26 5/16	37 1/16	6 15/16	HOSE RACK: 1- 1/2" x 1-1/2" Hose Rack Unit with 100' Hose (3010 or 3110) & Cosmic 2½ or Galaxy 2½- 5 lb Extinguisher
	6216	1-1/4" SQUARE EDGE	24	34 3/4	6	27 3/8	38 1/8	26 5/16	37 1/16	5 15/16	
	6217	2-1/2" ROLLED EDGE	24	34 3/4	6	27 3/8	38 1/8	26 5/16	37 1/16	4 11/16	
	6115	FLAT TRIM 3/8"	24	30	8	27 3/8	33 3/8	26 5/16	32 5/16	8 15/16	HOSE RACK: 2-1/2" x 1-1/2" Hose Rack Unit 50 or 75' Hose (3205, 3207)
	6116	1-1/4" SQUARE EDGE	24	30	8	27 3/8	33 3/8	26 5/16	32 5/16	7 15/16	
	6117	2-1/2" ROLLED EDGE	24	30	8	27 3/8	33 3/8	26 5/16	32 5/16	6 11/16	
	6415	FLAT TRIM 3/8"	24	34 3/4	8	27 3/8	38 1/8	26 5/16	37 1/16	8 15/16	HOSE RACK: 2-1/2" x 1-1/2" Hose Rack Unit - 100' Hose (3210 Series)
	6416	1-1/4" SQUARE EDGE	24	34 3/4	8	27 3/8	38 1/8	26 5/16	37 1/16	7 15/16	
	6417	2-1/2" ROLLED EDGE	24	34 3/4	8	27 3/8	38 1/8	26 5/16	37 1/16	6 11/16	
	6615	FLAT TRIM 3/8"	24	38 3/4	8	27 3/8	42 1/8	26 5/16	41 1/16	8 15/16	HOSE RACK: 2-1/2" x 1-1/2" Hose Rack Unit - 125' Hose (3212 Series)
	6616	1-1/4" SQUARE EDGE	24	38 3/4	8	27 3/8	42 1/8	26 5/16	41 1/16	7 15/16	
	6617	2-1/2" ROLLED EDGE	24	38 3/4	8	27 3/8	42 1/8	26 5/16	41 1/16	6 11/16	
	6315	FLAT TRIM 3/8"	30	30	8	33 3/8	33 3/8	32 5/16	32 5/16	8 15/16	HOSE RACK & FD VALVE OR EXTINGUISHER: 1-1/2" OR 2-1/2" Valve, 50' or 75' Hose Rack Unit Plus FD Valve or Extinguisher (Not Sentinel 15-20, 272)
	6316	1-1/4" SQUARE EDGE	30	30	8	33 3/8	33 3/8	32 5/16	32 5/16	7 15/16	
	6317	2-1/2" ROLLED EDGE	30	30	8	33 3/8	33 3/8	32 5/16	32 5/16	6 11/16	
	6515	FLAT TRIM 3/8"	32 3/4	34 3/4	8	36 1/8	38 1/8	35 1/16	37 1/16	8 15/16	HOSE RACK & FD VALVE OR EXTINGUISHER: 1-1/2" OR 2-1/2" Valve, 100' Hose Rack Unit Plus FD Valve or Extinguisher (Not Sentinel 20, 272)
	6516	1-1/4" SQUARE EDGE	32 3/4	34 3/4	8	36 1/8	38 1/8	35 1/16	37 1/16	7 15/16	
	6517	2-1/2" ROLLED EDGE	32 3/4	34 3/4	8	36 1/8	38 1/8	35 1/16	37 1/16	6 11/16	
	7215	FLAT TRIM 3/8"	32 3/4	38 3/4	8	36 1/8	42 1/8	35 1/16	41 1/16	8 15/16	HOSE RACK & FD VALVE OR EXTINGUISHER: 1-1/2" OR 2-1/2" Valve, 125' Hose Rack Unit Plus FD Valve or Extinguisher (Not Sentinel 20, 272)
	7216	1-1/4" SQUARE EDGE	32 3/4	38 3/4	8	36 1/8	42 1/8	35 1/16	41 1/16	7 15/16	
	7217	2-1/2" ROLLED EDGE	32 3/4	38 3/4	8	36 1/8	42 1/8	35 1/16	41 1/16	6 11/16	
Cabinets for Fire Department Valves											
	8515	FLAT TRIM 3/8"	18	18	8	21 3/8	21 3/8	20 5/16	20 5/16	8 15/16	FIRE DEPARTMENT VALVE: 1-1/2" or 2-1/2" Fire Department Valve with Cap and Chain
	8516	1-1/4" SQUARE EDGE	18	18	8	21 3/8	21 3/8	20 5/16	20 5/16	7 15/16	
	8517	2-1/2" ROLLED EDGE	18	18	8	21 3/8	21 3/8	20 5/16	20 5/16	6 11/16	
	8415	FLAT TRIM 3/8"	18	18	10	21 3/8	21 3/8	20 5/16	20 5/16	10 15/16	DUAL SIDE BY SIDE FIRE DEPARTMENT VALVE & EXTINGUISHER OR 2 FIRE DEPARTMENT VALVES: 1-1/2" or 2-1/2" FD Valve w/Cap and Chain Plus Extinguisher - Cosmic & Galaxy 2½-10, Mercury 2½-11, Grenadier, Saturn 15-25, Sentinel 5
	8416	1-1/4" SQUARE EDGE	18	18	10	21 3/8	21 3/8	20 5/16	20 5/16	9 15/16	
	8417	2-1/2" ROLLED EDGE	18	18	10	21 3/8	21 3/8	20 5/16	20 5/16	8 11/16	
	8715	FLAT TRIM 3/8"	26	26	8	29 3/8	29 3/8	28 5/16	28 5/16	8 15/16	DUAL EXTINGUISHER & FD VALVE CABINET WITH SHELF: Shelf is 12" from bottom. Any Extinguisher except Sentinel 15-20 & 272
	8716	1-1/4" SQUARE EDGE	26	26	8	29 3/8	29 3/8	28 5/16	28 5/16	7 15/16	
	8717	2-1/2" ROLLED EDGE	26	26	8	29 3/8	29 3/8	28 5/16	28 5/16	6 11/16	
	8615	FLAT TRIM 3/8"	26	26	10	26 1/4	26 1/4	28 5/16	28 5/16	10 15/16	
	8616	1-1/4" SQUARE EDGE	26	26	10	26 1/4	26 1/4	28 5/16	28 5/16	9 15/16	
	8617	2-1/2" ROLLED EDGE	26	26	10	26 1/4	26 1/4	28 5/16	28 5/16	8 11/16	
	8015	FLAT TRIM 3/8"	16	40	9	19 3/8	43 3/8	18 5/16	42 5/16	9 15/16	
	8016	1-1/4" SQUARE EDGE	16	40	9	19 3/8	43 3/8	18 5/16	42 5/16	8 15/16	
	8017	2-1/2" ROLLED EDGE	16	40	9	19 3/8	43 3/8	18 5/16	42 5/16	7 11/16	



FOR MORE INFORMATION CALL 1-888-926-1365
 Superior Specialty Supply • 9 Council Drive • PO Box 417 • Woodsboro, MD 21798 • www.sssupply.com