

# SUBMITTAL: CLEAR VU FIRE EXTINGUISHER CABINETS

**Door and Trim Construction:** US10 satin bronze, US3 polished brass, clear anodized aluminum, #4 stainless steel or CRS with white powder coat finish. Flush cabinet doors with a 5/8" door stop are attached by a continuous hinge and equipped with zinc-plated handle and roller catch.

**Bubble:** Acrylic bubble allows 180° extinguisher visibility. 2 1/2" projection for 1500 series, 3 1/2" projection for 2500 and 4500 series.

**Trim Style and Depth:** Recessed - 3/8" flat trim, Semi-Recessed - 1 1/4", 1 1/2" Square Edge or 2 1/2", 3", Rolled Edge. Surface-mount has a square edge or optional rolled edge for steel or stainless steel upon request. All models have 1-3/4" wide trim on frame and 1-1/4" trim on doors.

**Tub:** Constructed of cold rolled steel with white powder-coat finish standard.

**Fire-Rated Option Available:** Yes- [See separate submittal.](#)

[View All Locations Stock List](#)

[BIM Objects for REVIT® Platform](#)



**STEP 1: SELECT MODEL NUMBER, MATERIAL AND QUANTITY ON CHART** (refer to chart below)

A. Determine Trim Style according to wall depth.

B. Determine Tub I.D. according to best size for extinguisher and wall opening.

**STEP 2: SELECT 1 DOOR STYLE F or G & 1 GLAZING STYLE**

**STEP 3: OPTIONAL FEATURES AT ADDED COST (SELECT ANY)**

- F Full Acrylic Glazing
- G Full Acrylic Glazing & Saf-t-Lok™
- 25 Clear Acrylic Bubble
- 26 Red Acrylic Bubble
- 27 Bronze Acrylic Bubble



- Black Vertical FE Letters LDCVBFE
- Red Vertical FE Letters LDCVRFE [View Other Lettering Options](#)
- White Vertical FE Letters LDCVWFE
- Futura Embossed "Fire" Handle in \_\_\_ Mill \_\_\_ White \_\_\_ Red
- Stainless Steel Tub #4 Satin Finish (Stainless Models) [Tub Finishes](#)
- Aluminum Tub for Alum Cabinets with Mill finish (Non-Rated Use)

- Custom Stainless Finishes # 6, #7, #8 [View Online](#)
- Bronze: \_\_\_ US9 Bright Polished, \_\_\_ US10B Oil-rubbed Finishes
- Brass: US4 Satin Brass Finish [View Bronze & Brass Finishes Online](#)
- Color Anodized Aluminum Finishes [View Online](#)
- (Cabinets with specialty finishes provided with pull to match)
- Optional Color Door/Trim/Tub [View Cabinet Colors Online](#)

Door Material and Series						Tub ID			Frame OD		Wall Opening Non Rated			Accommodates Following Extinguishers Mounted on the Tub
Steel	Aluminum	Stainless Steel	Bronze	Brass	Trim Style	A	B	C	E	F	W	H	D	
1515	1525	1535	1545	1555	Flat trim	10 1/2	24	4	13 7/8	27 3/8	11 1/2	25	4	Cosmic & Galaxy 2.5-10, Mercury 2.5-5, Sentinel 5
1516	1526	1536	1546	1556	1 1/2" Square	10 1/2	24	4	13 7/8	27 3/8	11 1/2	25	2 5/8	
1517	1527	1537	1547	1557	3" Rolled	10 1/2	24	4	13 7/8	27 3/8	11 1/2	25	1 1/8	
1513	1523	1533	1543	1553	Surface Mounted	13 11/16	27 3/16	4 5/8	13 7/8	27 3/8	--	--	--	Cosmic & Galaxy 2.5-10, Cosmic FE20A, Mercury 2.5-15 (FM11A & FM15A), Sentinel 5, Saturn 15 & 25, Grenadier P
2515	2525	2535	2545	2555	Flat trim	14	30	4	17 3/8	33 3/8	15	31	4	
2516	2526	2536	2546	2556	1 1/4" Square	14	30	4	17 3/8	33 3/8	15	31	2 7/8	
2517	*2527	2537	--	--	2 1/2" Rolled	14	30	4	17 3/8	33 3/8	15	31	*1 5/8	
2513	2523	2533	2543	2553	Surface Mounted	17 3/16	33 3/16	4 5/8	17 3/8	33 3/8	--	--	--	
4515	4525	4535	--	--	Flat Trim Double Door	28	30	4	31 3/8	33 3/8	29	31	4	2 Each of Cosmic & Galaxy 2.5-10, Cosmic FE20A Mercury 2.5-15 (FM11A & FM15A), Sentinel 5, Saturn 15 & 25, Grenadier P
4513	4523	4533	--	--	Surf. Mtd. Double Door	31 3/16	33 3/16	4 5/8	31 3/8	33 3/8	--	--	--	

\*Add 5/8" to wall depth for a cabinet with an aluminum frame.

Models indicated in blue project 4" or less and meet ADA standards. Several Models in Stock—[View Current Stock List](#)

 	Distributor:	Quantity:
	Contractor:	Approved By:
	Model #:	Architect:
	Project:	Date:

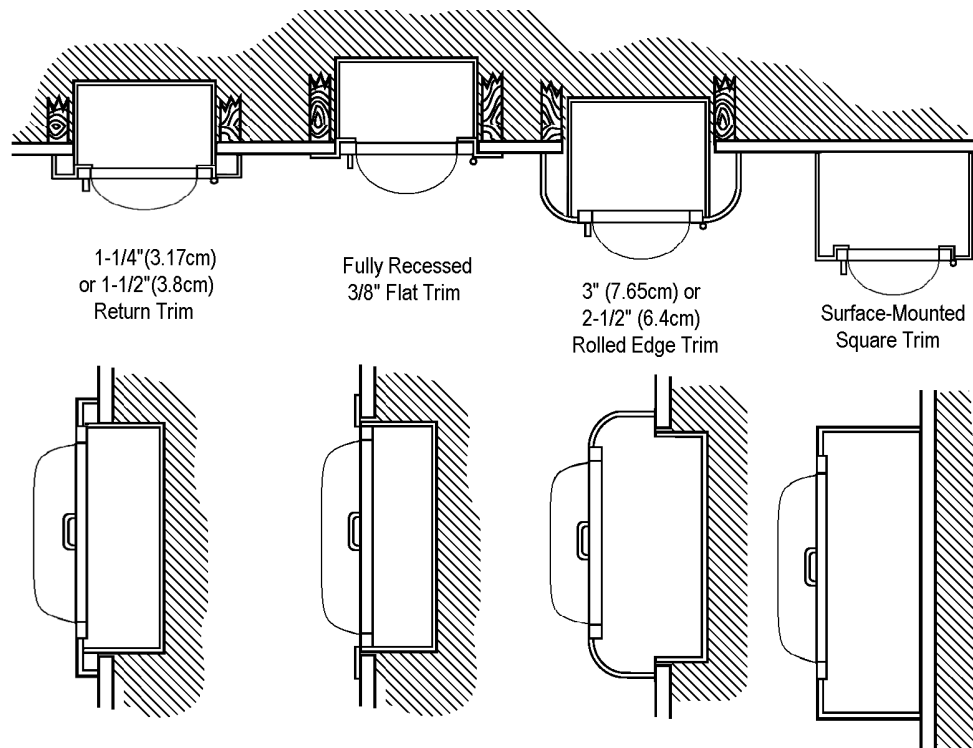
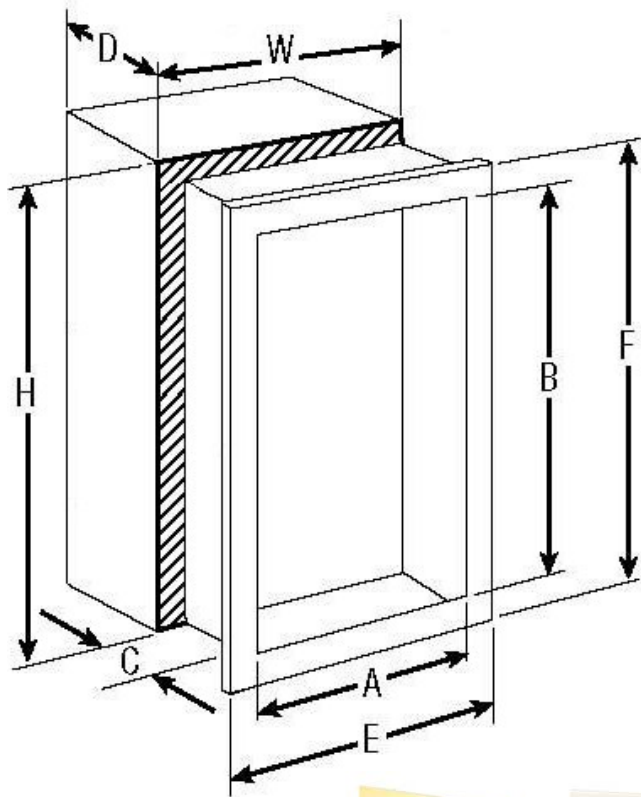
5/8/2014



**FOR MORE INFORMATION CALL 1-888-926-1365**

Superior Specialty Supply • 9 Council Drive • PO Box 417 • Woodsboro, MD 21798 • [www.sssupply.com](http://www.sssupply.com)

**SUBMITTAL: CLEAR VU FIRE EXTINGUISHER CABINETS**



1-1/4" (3.17cm)  
or 1-1/2" (3.8cm)  
Return Trim

Fully Recessed  
3/8" Flat Trim

3" (7.65cm) or  
2-1/2" (6.4cm)  
Rolled Edge Trim

Surface-Mounted  
Square Trim



1555F27



2515F25



2527G25



1513F25



1536F25



1525G26



**FOR MORE INFORMATION CALL 1-888-926-1365**

Superior Specialty Supply • 9 Council Drive • PO Box 417 • Woodsboro, MD 21798 • [www.sssupply.com](http://www.sssupply.com)