

## SUBMITTAL: PANORAMA ALUMINUM FIRE-FX2 FIRE-RATED EXTINGUISHER CABINETS

The Panorama Cabinet Features a Frameless Acrylic Door of Clear or Opaque Textured Acrylic with Many Lettering Options and Optional Anodized Aluminum Finishes.

**Door & Trim Construction:** Flush acrylic cabinet doors are attached by a continuous hinge and equipped with zinc-plated handle and roller catch. 1-3/4" trim on cabinet of clear anodized aluminum.

**Trim Style & Depth:** Recessed 3/8" flat trim, Semi Recessed - 1-1/4", 1-1/2" Square Edge or 2-1/2", 3", 4", 4-1/2" Rolled Edge (4" has recessed ADAC pull). Surface-mount models have a square edge. Rolled edge models are constructed of mechanically-joined extrusions, except for models 1827 & 1027 which are die formed, providing an attractive, smooth, rounded corner unique to the JL line of cabinets!

**Tab:** The tub is constructed of cold rolled steel with white powder-coat finish standard. Tub forms a 1.56" wide flange to cover cut edges of wallboard. Fire-resistant material is attached to the exterior of the tub. *Please note that dimensions for wall opening have changed in 2015.*

**Fire-Rating:** Fire-FX2™ cabinets are fabricated in accordance with the UL label for one and two hour combustible and non-combustible wall system building codes. The fire testing has met the requirement of ANSI/UL 1479 (ASTM -E814) and ULC/CAN S115 for membrane and penetration firestops. Installation instructions must be strictly adhered to in order to obtain the fire rating.

**STEP 1: SELECT MODEL NUMBER, MATERIAL AND QUANTITY ON CHART** (refer to chart on pg 2)

A. Determine Trim Style according to wall depth. B. Determine Tub I.D. according to size most suited for extinguisher and wall

**STEP 2: SELECT DOOR ACRYLIC WITH HANDLE**

(Check one box below)

- |   |   |
|---|---|
| <input type="checkbox"/> C70 Clear 3/16" Unlettered Smooth Acrylic              | <input type="checkbox"/> P Identity: 3/16" Textured Obscure Acrylic with Lettering              |
| <input type="checkbox"/> C71 Clear 3/16" Unlettered Smooth Acrylic & Saf-T-Lok™ | <input type="checkbox"/> Q Identity: 3/16" Textured Obscure Acrylic with Lettering & Saf-T-Lok™ |

**STEP 3 - P&Q DOORS SELECT LETTERING STYLE** View lettering styles on page 2 or:

[VIEW LETTERING STYLES](#)

40 Vert, Black Bkgd, White Lettering	45 Horiz, Black Bkgd, White Lettering	50 Ascend, Black Bkgd, White Lettering
41 Vert, Red Bkgd, White Lettering	46 Horiz, Red Bkgd, White Lettering	51 Ascend, Red Bkgd, White Lettering
42 Vert, White Bkgd, Black Lettering	47 Horiz, White Bkgd, Black Lettering	52 Ascend, White Bkgd, Black Lettering
43 Vert, White Bkgd, Red Lettering	48 Horiz, White Bkgd, Red Lettering	53 Ascend, White Bkgd, Red Lettering

**STEP 4: OPTIONAL FEATURES AT ADDED COST (SELECT ANY)**

- |   |   |
|---|---|
| <input type="checkbox"/> Optional Tub Color: ___ Black ___ Red                            | <input type="checkbox"/> (CA) Commander Alarm   |
| <input type="checkbox"/> Futura "Fire" Handle ___ Mill Aluminum (PUF) ___ Red ___ White   | <input type="checkbox"/> (BA) Brigadier Alarm   |
| <input type="checkbox"/> Flush Pull Handle for P and Q Door Styles                        | <a href="#">View Alarms</a>                     |
| <input type="checkbox"/> Polished Chrome Lever Handle (P6)                                | <a href="#">BIM Objects for REVIT® Platform</a> |
| <input type="checkbox"/> Optional Dark Bronze Anodized Color Finish: (with matching pull) |   |

For More Information on Options See Other Submittals:

[Decals & Die Lettering](#), [Wall Signs](#), [Alarms](#), [Pulls & Levers](#),



1822P48FX2

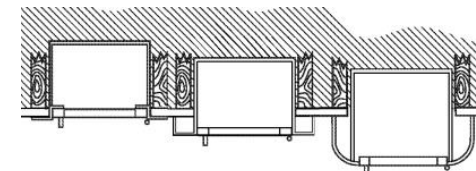
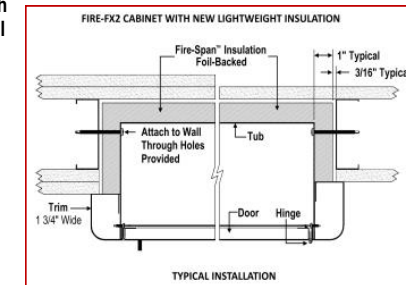
4" Rolled Trim with Standard ADA Pull  
Semi-Recessed



8127Q42FX2



1826C70FX2



3/8" (.9cm)  
FLAT TRIM

1-1/2" (3.8cm)  
SQUARE TRIM

2-1/2, 3, 4"  
ROLLED EDGE

<p><b>ACTIVAR INC.</b> CONSTRUCTION PRODUCTS GROUP</p> <p>ACADEMY, FX2 AND SAF-T-LOK ARE TRADEMARKS OF ACTIVAR PLEASE DOWNLOAD THE MOST CURRENT SUBMITTAL FROM THE WEBSITE BEFORE ORDERING</p>	Distributor:	Quantity:
	Contractor:	Approved By:
	Model #:	Architect:
	Project:	Date:

© Activar Construction Products Group, Inc 2016

7/27/16

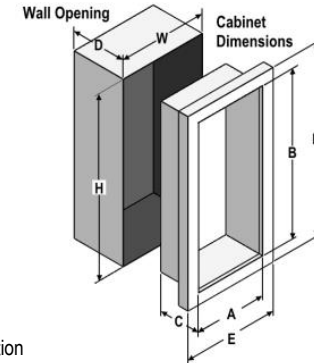


**FOR MORE INFORMATION CALL 1-888-926-1365**

Superior Specialty Supply • 9 Council Drive • PO Box 417 • Woodsboro, MD 21798 • [www.sssupply.com](http://www.sssupply.com)

## SUBMITTAL: PANORAMA ALUMINUM FX2 FIRE-RATED EXTINGUISHER CABINETS PLEASE NOTE CHANGES PAGE 2 OF 2

TRIM & DOOR SERIES #			Tub I.D.			Frame O.D.		FX Wall Opening New Dimensions 2015 - Please Note			View Extinguishers
QTY	Model	Trim Style (in)	A	B	C	E	F	W	H	D	
	<b>8125</b>	Flat trim •	9	18	5 1/2	12 3/8	21 3/8	11 5/16	20 5/16	6 7/16	Cosmic & Galaxy 2 1/2-6, Mercury 2 1/2- 5
	<b>8126</b>	1 1/2 Square•	9	18	5 1/2	12 3/8	21 3/8	11 5/16	20 5/16	5 3/16	
	<b>8127</b>	2 1/2 Rolled•	9	18	5 1/2	12 3/8	21 3/8	11 5/16	20 5/16	4 5/8	
	<b>1825</b>	Flat trim •	10 1/2	24	5 1/2	13 7/8	27 3/8	12 13/16	26 5/16	6 7/16	Cosmic & Galaxy 2 1/2-6 Mercury 2 1/2-5
	<b>1826</b>	1 1/2 Square•	10 1/2	24	5 1/2	13 7/8	27 3/8	12 13/16	26 5/16	5 3/16	
	<b>1827</b>	3 Rolled•	10 1/2	24	5 1/2	13 7/8	27 3/8	12 13/16	26 5/16	3 5/8	
	<b>1822</b>	4 Rolled*(• P or Q)	10 1/2	24	5 1/2	13 7/8	27 3/8	12 13/16	26 5/16	3 5/16	
	<b>1828</b>	4 1/2 Rolled	10 1/2	24	5 1/2	13 7/8	27 3/8	12 13/16	26 5/16	2 13/16	
	<b>1025</b>	Flat trim •	10 1/2	24	6	13 7/8	27 3/8	12 13/16	26 5/16	6 15/16	Cosmic & Galaxy 2 1/2-10 Mercury 2 1/2-5, Sentinel 5
	<b>1026</b>	1 1/2 Square•	10 1/2	24	6	13 7/8	27 3/8	12 13/16	26 5/16	5 11/16	
	<b>1027</b>	3 Rolled•	10 1/2	24	6	13 7/8	27 3/8	12 13/16	26 5/16	4	
	<b>1022</b>	4 Rolled*(• P or Q)	10 1/2	24	6	13 7/8	27 3/8	12 13/16	26 5/16	3 13/16	
	<b>1028</b>	4 1/2 Rolled	10 1/2	24	6	13 7/8	27 3/8	12 13/16	26 5/16	3 5/16	
	<b>2025</b>	Flat trim •	12	27	7 3/4	15 3/8	30 3/8	14 5/16	29 5/16	8 11/16	Any Cosmic**, Gal- axy*8, Mercury, Saturn or Grenadier P, Sentinel 5 & 10
	<b>2026</b>	1 1/4 Square•	12	27	7 3/4	15 3/8	30 3/8	14 5/16	29 5/16	7 11/16	
	<b>2027</b>	2 1/2 Rolled•	12	27	7 3/4	15 3/8	30 3/8	14 5/16	29 5/16	7 1/16	
	<b>2022</b>	4 Rolled*(• P or Q)	12	27	7 3/4	15 3/8	30 3/8	14 5/16	29 5/16	5 9/16	
	<b>2028</b>	4 1/2 Rolled	12	27	7 3/4	15 3/8	30 3/8	14 5/16	29 5/16	5 1/16	
	<b>3025</b>	Flat trim •	16	32	7 3/4	19 3/8	35 3/8	18 5/16	34 5/16	8 11/16	Any Cosmic**, Gal- axy**, Mercury, Saturn or Grenadier P, Sentinel 5-15, 272
	<b>3026</b>	1 1/4 Square•	16	32	7 3/4	19 3/8	35 3/8	18 5/16	34 5/16	7 11/16	
	<b>3027</b>	2 1/2 Rolled•	17	34	9	20 3/8	38 3/8	18 5/16	34 5/16	7 1/16	
	<b>3022</b>	4 Rolled*(• P or Q)	16	32	7 3/4	19 3/8	35 3/8	18 5/16	34 5/16	5 9/16	
	<b>3028</b>	4 1/2 Rolled	16	32	7 3/4	19 3/8	35 3/8	18 5/16	34 5/16	5 1/16	
	<b>4025</b>	Flat trim •	20	27	7 3/4	23 3/8	30 3/8	22 5/16	29 5/16	8 11/16	Two each of: any Cosmic**, Galaxy**, Mercury, Saturn or Grenadier P, Sentinel 5
	<b>4026</b>	1 1/4 Square•	20	27	7 3/4	23 3/8	30 3/8	22 5/16	29 5/16	7 11/16	
	<b>4027</b>	2 1/2 Rolled•	20	27	7 3/4	23 3/8	30 3/8	22 5/16	29 5/16	7 1/16	
	<b>4022</b>	4 Rolled*(• P or Q)	20	27	7 3/4	23 3/8	30 3/8	22 5/16	29 5/16	5 9/16	
	<b>4028</b>	4 1/2 Rolled	20	27	7 3/4	23 3/8	30 3/8	22 5/16	29 5/16	5 1/16	



New Lighter, FX2 Insulation

ADA Cabinet Mounting Height: Standard Pull on G, E, W, L22 and B Door Styles with Saf-T-Lok are 3 5/8" Higher than Door Center, so Allow for that When Mounting Cabinet.  
Standard Pull with No Lock or ADA Recessed Pull are Centered on Door.

### PANORAMA "P" & "Q" DOOR GLAZING STYLES



Models shown in **Large Bold** above are available in several door styles for Quick Shipment. [See current Stock List.](#)

\* 4" Rolled models have recessed pull for P and Q Doors and standard pull for C Styles

\*\* Cosmic 20 & Galaxy 20 Extinguisher must be mounted on the back of the cabinet tub

•Meets ADA Cabinet Projection Req.



## FOR MORE INFORMATION CALL 1-888-926-1365

Superior Specialty Supply • 9 Council Drive • PO Box 417 • Woodsboro, MD 21798 • [www.sssupply.com](http://www.sssupply.com)