

**SUBMITTAL: PANORAMA FIRE-FX2 FIRE-RATED STEEL FIRE EXTINGUISHER CABINETS**

The Panorama Cabinet Features a Frameless Acrylic Door of Clear or Opaque Textured Acrylic with Many Lettering Options.

**Door & Trim Construction:** Flush acrylic cabinet doors are attached by a continuous hinge and equipped with zinc-plated handle and roller catch. 1-3/4" trim on cabinet has white powder coat finish.

**Trim Style & Depth:** Trimless Recessed - See Separate Submittal, Recessed 3/8" flat trim, Semi Recessed - 1-1/4", 1-1/2" Square Edge or 2-1/2", 3", 4", 4-1/2" Rolled Edge (4" has recessed ADAC pull).

**Tub:** The tub is constructed of cold rolled steel with white powder-coat finish standard. Tub forms a flange to cover cut edges of wallboard material. Fire-resistant material is attached to the exterior of the tub. Please note that dimensions for wall opening have changed. See Chart on pg 2.

**Fire-Rating:** Fire-FX2™ cabinets are fabricated in accordance with the UL label for one and two hour combustable and non-combustible wall system building codes. The fire testing has met the requirement of ANSI/UL 1479 (ASTM –E814) and ULC/CAN S115-for membrane and penetration firestops. Installation instructions must be strictly adhered to in order to obtain the fire rating.



1012P48FX2  
4" Rolled Trim  
Semi-Recessed  
With Standard Flush Pull

1817Q51FX2  
3" Rolled Trim

**STEP 1: SELECT MODEL NUMBER, MATERIAL AND QUANTITY ON CHART** (refer to chart on pg 2)

A. Determine Trim Style according to wall depth. B. Determine Tub I.D. according to size most suited for extinguisher and wall opening.

**STEP 2: SELECT DOOR ACRYLIC WITH HANDLE**

(Check one box below)

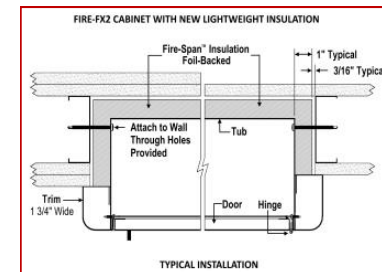
- |   |   |
|---|---|
| <input type="checkbox"/> C70 Clear 3/16" Unlettered Smooth Acrylic              | <input type="checkbox"/> P Identity: 3/16" Textured Obscure Acrylic with Lettering              |
| <input type="checkbox"/> C71 Clear 3/16" Unlettered Smooth Acrylic & Saf-T-Lok™ | <input type="checkbox"/> Q Identity: 3/16" Textured Obscure Acrylic with Lettering & Saf-T-Lok™ |

**STEP 3 - P&Q DOORS SELECT LETTERING STYLE**

View lettering styles on page 2 or:

[VIEW LETTERING STYLES](#)

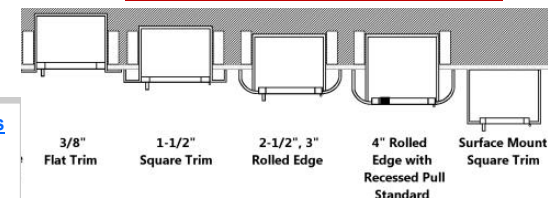
40 Vert, Black Bkgd, White Lettering	45 Horiz, Black Bkgd, White Lettering	50 Ascend, Black Bkgd, White Lettering
41 Vert, Red Bkgd, White Lettering	46 Horiz, Red Bkgd, White Lettering	51 Ascend, Red Bkgd, White Lettering
42 Vert, White Bkgd, Black Lettering	47 Horiz, White Bkgd, Black Lettering	52 Ascend, White Bkgd, Black Lettering
43 Vert, White Bkgd, Red Lettering	48 Horiz, White Bkgd, Red Lettering	53 Ascend, White Bkgd, Red Lettering



**STEP 4: OPTIONAL FEATURES AT ADDED COST (SELECT ANY)**

- |   |   |
|---|---|
| <input type="checkbox"/> Optional Tub Color: ___ Black ___ Red                          | <input type="checkbox"/> (MC) Magnetic Catch -Replaces Roller Catch |
| <input type="checkbox"/> Futura "Fire" Handle ___ Mill Aluminum (PUF) ___ Red ___ White | <input type="checkbox"/> (CA) Commander Alarm                       |
| <input type="checkbox"/> Optional Color: ___ Red ___ Black ___ Flat Black               | <input type="checkbox"/> (BA) Brigadier Alarm                       |
| ___ Sand ___ AMS Beige ___ SC Flat Beige  | <input type="checkbox"/> Flush Pull Handle for P and Q Door Styles  |
| ___ Gray Primer ___ Bronze ___ Satin Aluminum   | <input type="checkbox"/> Polished Chrome Lever Handle (P6)          |
|   | <input type="checkbox"/> Chrome Pull (PUCH)                         |

[BIM Objects for REVIT® Platform](#)



For More Information on Options See Other Submittals: [Decals/Die Cuts & Wall Signs](#), [Handles & Levers](#), [Alarms](#)

<p><b>ACTIVAR INC.</b> CONSTRUCTION PRODUCTS GROUP</p> <p>PANORAMA,FX2 AND SAF-T-LOK ARE TRADEMARKS OF ACPG PLEASE DOWNLOAD MOST CURRENT SUBMITTAL FROM WEBSITE BEFORE ORDERING</p>	Distributor:	Quantity:
	Contractor:	Approved By:
	Model #:	Architect:
	Project:	Date:
6/13/2017		© 2017 Activar Construction Products Group, Inc



**FOR MORE INFORMATION CALL 1-888-926-1365**

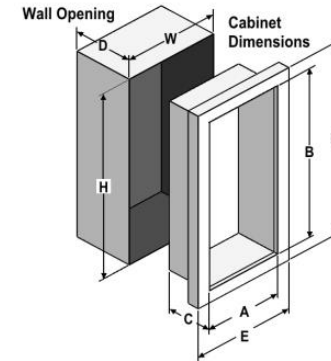
Superior Specialty Supply • 9 Council Drive • PO Box 417 • Woodsboro, MD 21798 • [www.sssupply.com](http://www.sssupply.com)

## SUBMITTAL: PANORAMA FX2™ FIRE-RATED STEEL EXTINGUISHER CABINETS PLEASE NOTE CHANGES IN WALL OPENING PAGE 2 OF 2

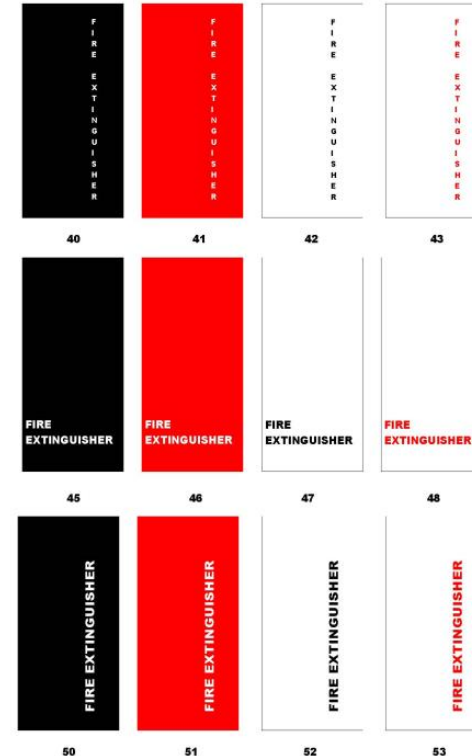
TRIM & DOOR SERIES #			Tub I.D.			Frame O.D.			FX Wall Opening New Dimensions in 2015- Please Note			Fits Extinguishers <a href="#">View Submittal</a>
QTY	Model	Trim Style	A	B	C	E	F	W	H	D		
	<b>8115</b>	Flat trim ●	9	18	5 1/2	12 3/8	21 3/8	11 5/16	20 5/16	6 7/16	Cosmic & Galaxy 2 1/2-6 (6 lb must be mounted on tub) Mercury 2 1/2-5	
	<b>8116</b>	1 1/2 Square ●	9	18	5 1/2	12 3/8	21 3/8	11 5/16	20 5/16	5 3/16		
	<b>8117</b>	2 1/2 Rolled ●	9	18	5 1/2	12 3/8	21 3/8	11 5/16	20 5/16	4		
	<b>1815</b>	Flat trim ●	10 1/2	24	5 1/2	13 7/8	27 3/8	12 13/16	26 5/16	6 7/16	Cosmic & Galaxy 2 1/2-6 (6 lb must be mounted on tub) Mercury 2 1/2-5	
	<b>1816</b>	1 1/2 Square ●	10 1/2	24	5 1/2	13 7/8	27 3/8	12 13/16	26 5/16	5 3/16		
	<b>1817</b>	3 Rolled ●	10 1/2	24	5 1/2	13 7/8	27 3/8	12 13/16	26 5/16	3 5/8		
	<b>1812</b>	4 Rolled* (● P or Q)	10 1/2	24	5 1/2	13 7/8	27 3/8	12 13/16	26 5/16	2 7/8		
	<b>1818</b>	4 1/2 Rolled	10 1/2	24	5 1/2	13 7/8	27 3/8	12 13/16	26 5/16	2 3/16		
	<b>1015</b>	Flat trim ●	10 1/2	24	6	13 7/8	27 3/8	12 13/16	26 5/16	6 15/16	Cosmic & Galaxy 2 1/2-10 Mercury 2 1/2-5, Sentinel 5	
	<b>1016</b>	1 1/2 Square ●	10 1/2	24	6	13 7/8	27 3/8	12 13/16	26 5/16	5 11/16		
	<b>1017</b>	3 Rolled ●	10 1/2	24	6	13 7/8	27 3/8	12 13/16	26 5/16	4		
	<b>1012</b>	4 Rolled* (● P or Q)	10 1/2	24	6	13 7/8	27 3/8	12 13/16	26 5/16	3 3/8		
	<b>1018</b>	4 1/2 Rolled	10 1/2	24	6	13 7/8	27 3/8	12 13/16	26 5/16	2 11/16		
	<b>2015</b>	Flat trim ●	12	27	7 3/4	15 3/8	30 3/8	14 5/16	29 5/16	8 11/16	Any Cosmic, Galaxy, Mercury, Saturn or Grenadier P (20 lb must be mounted on back of tub), Sentinel 5 & 10	
	<b>2016</b>	1 1/4 Square ●	12	27	7 3/4	15 3/8	30 3/8	14 5/16	29 5/16	7 11/16		
	<b>2017</b>	2 1/2 Rolled ●	12	27	7 3/4	15 3/8	30 3/8	14 5/16	29 5/16	6 7/16		
	<b>2012</b>	4 Rolled* (● P or Q)	12	27	7 3/4	15 3/8	30 3/8	14 5/16	29 5/16	5 1/8		
	<b>2018</b>	4 1/2 Rolled	12	27	7 3/4	15 3/8	30 3/8	14 5/16	29 5/16	4 7/16		
	<b>3015</b>	Flat trim ●	16	32	7 3/4	19 3/8	35 3/8	18 5/16	34 5/16	8 11/16	Any Cosmic, Galaxy, Mercury, Saturn or Grenadier P (20 lb must be mounted on back of tub), Sentinel 5-15, 272	
	<b>3016</b>	1 1/4 Square ●	16	32	7 3/4	19 3/8	35 3/8	18 5/16	34 5/16	7 11/16		
	<b>3017</b>	2 1/2 Rolled ●	17	34	9	20 3/8	38 3/8	18 5/16	34 5/16	6 7/16		
	<b>3012</b>	4 Rolled* (● P or Q)	16	32	7 3/4	19 3/8	35 3/8	18 5/16	34 5/16	5 1/8		
	<b>3018</b>	4 1/2 Rolled	16	32	7 3/4	19 3/8	35 3/8	18 5/16	34 5/16	4 7/16		
	<b>4015</b>	Flat trim ●	20	27	7 3/4	23 3/8	30 3/8	22 5/16	29 5/16	8 11/16	Two each of: any Cosmic, Galaxy, Mercury, Saturn or Grenadier P (20 lb must be mounted on back of tub), Sentinel 5	
	<b>4016</b>	1 1/4 Square ●	20	27	7 3/4	23 3/8	30 3/8	22 5/16	29 5/16	7 11/16		
	<b>4017</b>	2 1/2 Rolled ●	20	27	7 3/4	23 3/8	30 3/8	22 5/16	29 5/16	6 7/16		
	<b>4012</b>	4 Rolled* (● P or Q)	20	27	7 3/4	23 3/8	30 3/8	22 5/16	29 5/16	5 1/8		
	<b>4018</b>	4 1/2 Rolled	20	27	7 3/4	23 3/8	30 3/8	22 5/16	29 5/16	4 7/16		



New Lighter, FX2 Insulation



### PANORAMA "P" & "Q" DOOR GLAZING STYLES



Models shown in **Large Bold** above are available in several door styles for Quick Shipment. [See current Stock List.](#)

\* 4" Rolled models have recessed pull for P and Q Doors and standard pull for C Styles

- Cabinets that Meet 4" Maximum ADA Projection Requirement



**FOR MORE INFORMATION CALL 1-888-926-1365**

Superior Specialty Supply • 9 Council Drive • PO Box 417 • Woodsboro, MD 21798 • [www.sssupply.com](http://www.sssupply.com)