

**SUBMITTAL: PANORAMA™ ALUMINUM FIRE EXTINGUISHER CABINETS**

The Panorama Cabinet Features a Frameless Acrylic Door of Clear or Opaque Textured Acrylic with Many Lettering Options and Optional Anodized Aluminum Finishes.

**Door & Trim Construction:** No 180 clear anodized aluminum. Flush cabinet doors with a 5/8" door stop are attached by a continuous hinge and equipped with zinc-plated handle and roller catch. All models have 1-3/4" wide trim on frame and 1-1/4" trim on doors with glazing. Rolled edge models are constructed of mechanically-joined extrusions, except for models 1827 and 1027 which are die formed. *Die formed corners provide an attractive, rounded edge - unique to the JL line of cabinets!*

**Trim Style & Depth:** Recessed 3/8" flat trim, Semi Recessed - 1-1/4", 1-1/2" Square Edge or 2-1/2", 3", 4", 4-1/2" Rolled Edge (4" has recessed pull). Surface-mount models have a square edge.

**Tub:** The tub is constructed of cold rolled steel with white powder-coat finish standard. Surface-mount models have aluminum tub.

**Fire-Rated Option Available:** Yes - See separate Submittal Form.



**1026P40**  
Semi-Recessed  
1-1/2" Trim

**8127Q42**  
2-1/2" Rolled Trim  
Semi-Recessed  
With Saf-T-Lok™

**1826C70**  
1-1/2" Square  
Trim  
Semi-Recessed

[BIM Objects for REVIT® Platform](#)

**STEP 1: SELECT MODEL NUMBER, MATERIAL AND QUANTITY ON CHART** (refer to chart on pg 2)

- A. Determine Trim Style according to wall depth.
- B. Determine Tub I.D. according to size most suited for extinguisher and wall opening.

**STEP 2: SELECT DOOR ACRYLIC WITH HANDLE**

(Check one box below)

- C70 Clear 3/16" Unlettered Smooth Acrylic
- C71 Clear 3/16" Unlettered Smooth Acrylic & Saf-T-Lok™
- P Identity: 3/16" Textured Obscure Acrylic with Lettering
- Q Identity: 3/16" Textured Obscure Acrylic with Lettering & Saf-T-Lok™

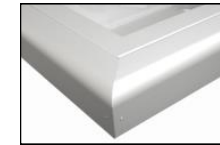
**STEP 3 - P&Q DOORS SELECT LETTERING STYLE** View lettering styles on page 2 or:

[VIEW LETTERING STYLES](#)

<b>40 Vert, Black Bkgd, White Lettering</b>	<b>45 Horiz, Black Bkgd, White Lettering</b>	<b>50 Ascend, Black Bkgd, White Lettering</b>
<b>41 Vert, Red Bkgd, White Lettering</b>	<b>46 Horiz, Red Bkgd, White Lettering</b>	<b>51 Ascend, Red Bkgd, White Lettering</b>
<b>42 Vert, White Bkgd, Black Lettering</b>	<b>47 Horiz, White Bkgd, Black Lettering</b>	<b>52 Ascend, White Bkgd, Black Lettering</b>
<b>43 Vert, White Bkgd, Red Lettering</b>	<b>48 Horiz, White Bkgd, Red Lettering</b>	<b>53 Ascend, White Bkgd, Red Lettering</b>



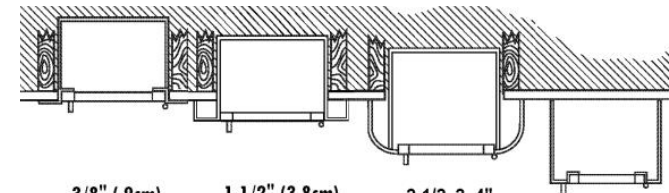
**Formed Rolled Edge**  
1027 and 1827



**Extruded Rolled Edge**  
2-1/2", 4" and 4-1/2"

**STEP 4: OPTIONAL FEATURES AT ADDED COST (SELECT ANY)**

- Futura "Fire" Handle \_\_\_ Mill Alum-(PUF) \_\_\_ Red \_\_\_ White
- Flush Pull Handle for "P" or "Q" Style Doors Only
- Polished Chrome Lever Handle (P6)
- [Optional Dark Bronze Anodized Color Finish:](#) (with matching pull)
- (CA) Commander Alarm [View Alarms](#)
- (BA) Brigadier Alarm
- (SA) Strobe Alarm (surface mount)
- Aluminum Tub \_\_\_ Mill \_\_\_ Clear Anodized
- Optional Tub Color: \_\_\_ Black \_\_\_ Red



**3/8" (.9cm)**  
FLAT TRIM

**1-1/2" (3.8cm)**  
SQUARE TRIM

**2-1/2, 3, 4"**  
ROLLED EDGE

**SURFACE MOUNT**  
SQUARE TRIM

For More Information on Options See Other Submittals: [Decals & Die Lettering](#), [Wall Signs](#), [Alarms](#), [Pulls & Levers](#)

<p><b>ACTIVAR INC.</b> CONSTRUCTION PRODUCTS GROUP</p> <p>PANORAMA AND SAF-T-LOK ARE TRADEMARKS OF ACTIVAR PLEASE DOWNLOAD MOST CURRENT SUBMITTAL FROM WEBSITE BEFORE ORDERING</p>	Distributor:	Quantity:
	Contractor:	Approved By:
	Model #:	Architect:
	Project:	Date:

© Activar Construction Products Group, Inc 2016

7/27/16

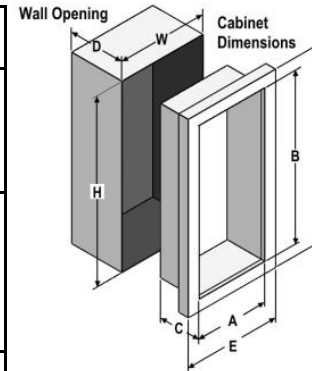


**FOR MORE INFORMATION CALL 1-888-926-1365**

Superior Specialty Supply • 9 Council Drive • PO Box 417 • Woodsboro, MD 21798 • [www.sssupply.com](http://www.sssupply.com)

SUBMITTAL: PANORAMA ALUMINUM FIRE EXTINGUISHER CABINETS

TRIM & DOOR SERIES #			Tub I.D.			Frame O.D.		Wall Opening			View Extinguishers
QTY	Model	Trim Style(in)	A	B	C	E	F	W	H	D	
	<b>8125</b>	Flat trim •	9	18	5 1/2	12 3/8	21 3/8	10	19	5 3/8	Cosmic & Galaxy 2 1/2-6, Mercury 2 1/2- 5
	<b>8126</b>	1 1/2 Square•	9	18	5 1/2	12 3/8	21 3/8	10	19	4 1/8	
	<b>8127</b>	2 1/2 Rolled•	9	18	5 1/2	12 3/8	21 3/8	10	19	3 3/4	
	<b>8123</b>	Surf. Mtd Sq	12 3/16	21 3/16	6	12 3/8	21 3/8	--	--	--	
	<b>1825</b>	Flat trim •	10 1/2	24	5 1/2	13 7/8	27 3/8	11 1/2	25	5 3/8	Cosmic & Galaxy 2 1/2-6 Mercury 2 1/2-5
	<b>1826</b>	1 1/2 Square•	10 1/2	24	5 1/2	13 7/8	27 3/8	11 1/2	25	4 1/8	
	<b>1827</b>	3 Rolled•	10 1/2	24	5 1/2	13 7/8	27 3/8	11 1/2	25	2 5/8	
	<b>1822</b>	4 Rolled*(• P or Q)	10 1/2	24	5 1/2	13 7/8	27 3/8	11 1/2	25	2-1/4	
	<b>1828</b>	4 1/2 Rolled	10 1/2	24	5 1/2	13 7/8	27 3/8	11 1/2	25	1-3/4	
	<b>1025</b>	Flat trim •	10 1/2	24	6	13 7/8	27 3/8	11 1/2	25	5 7/8	Cosmic & Galaxy 2 1/2-10 Mercury 2 1/2-5, Sentinel 5
	<b>1026</b>	1 1/2 Square•	10 1/2	24	6	13 7/8	27 3/8	11 1/2	25	4 5/8	
	<b>1027</b>	3 Rolled•	10 1/2	24	6	13 7/8	27 3/8	11 1/2	25	3 1/8	
	<b>1022</b>	4 Rolled*(• P or Q)	10 1/2	24	6	13 7/8	27 3/8	11 1/2	25	2 3/4	
	<b>1028</b>	4 1/2 Rolled	10 1/2	24	6	13 7/8	27 3/8	11 1/2	25	2 1/4	
	<b>1023</b>	Surf Mtd. Sq	13 11/16	27 3/16	6 1/2	13 7/8	27 3/8	--	--	--	
	<b>2025</b>	Flat trim •	12	27	7 3/4	15 3/8	30 3/8	13	28	7 5/8	Any Cosmic**, Gal- axy**, Mercury, Saturn or Grenadier P, Sentinel 5 & 10
	<b>2026</b>	1 1/4 Square•	12	27	7 3/4	15 3/8	30 3/8	13	28	6 5/8	
	<b>2027</b>	2 1/2 Rolled•	12	27	7 3/4	15 3/8	30 3/8	13	28	6	
	<b>2022</b>	4 Rolled*(• P or Q)	12	27	7 3/4	15 3/8	30 3/8	13	28	4 1/2	
	<b>2028</b>	4 1/2 Rolled	12	27	7 3/4	15 3/8	30 3/8	13	28	4	
	<b>2023</b>	Surf Mtd. Sq	15 3/16	30 3/16	8 1/4	15 3/8	30 3/8	--	--	--	
	<b>3025</b>	Flat trim •	16	32	7 3/4	19 3/8	35 3/8	17	33	7 5/8	Any Cosmic**, Gal- axy**, Mercury, Saturn or Grenadier P, Sentinel 5-15, 272
	<b>3026</b>	1 1/4 Square•	16	32	7 3/4	19 3/8	35 3/8	17	33	6 5/8	
	<b>3027</b>	2 1/2 Rolled•	16	32	7 3/4	19 3/8	35 3/8	17	33	6	
	<b>3022</b>	4 Rolled*(• P or Q)	16	32	7 3/4	19 3/8	35 3/8	17	33	4 1/2	
	<b>3028</b>	4 1/2 Rolled	16	32	7 3/4	19 3/8	35 3/8	17	33	4	
	<b>3023</b>	Surf Mtd. Sq	19 3/16	35 3/16	8 1/4	19 3/8	35 3/8	--	--	--	
	<b>4025</b>	Flat trim •	20	27	7 3/4	23 3/8	30 3/8	21	28	7 5/8	Two each of: any Cosmic**, Galaxy**, Mercury, Saturn or Grenadier P, Sentinel 5
	<b>4026</b>	1 1/4 Square•	20	27	7 3/4	23 3/8	30 3/8	21	28	6 5/8	
	<b>4027</b>	2 1/2 Rolled•	20	27	7 3/4	23 3/8	30 3/8	21	28	6	
	<b>4022</b>	4 Rolled*(• P or Q)	20	27	7 3/4	23 3/8	30 3/8	21	28	4 1/2	
	<b>4028</b>	4 1/2 Rolled	20	27	7 3/4	23 3/8	30 3/8	21	28	4	
	<b>4023</b>	Surf Mtd. Sq	23 3/16	30 3/16	8 1/4	23 3/8	30 3/8	--	--	--	



**ADA Cabinet Mounting**  
 Height: Standard Pull on G, E, W, L22 and B Door Styles with Saf-T-Lok are 3 5/8" Higher than Door Center, so Allow for that When Mounting Cabinet.  
 Standard Pull with No Lock or ADA Recessed Pull are Centered on Door.

PANORAMA "P" & "Q" DOOR GLAZING STYLES



Models shown in **Large Bold** above are available in several door styles for Quick Shipment. [See current Stock List.](#)  
 \* 4" Rolled models have recessed pull for P and Q Doors and standard pull for C Styles  
 \*\* Cosmic 20 & Galaxy 20 Extinguisher must be mounted on the back of the cabinet tub • Meets ADA Cabinet Projection Req.



**FOR MORE INFORMATION CALL 1-888-926-1365**  
 Superior Specialty Supply • 9 Council Drive • PO Box 417 • Woodsboro, MD 21798 • [www.sssupply.com](http://www.sssupply.com)