

SUBMITTAL: PANORAMA™ STAINLESS STEEL FIRE EXTINGUISHER CABINETS

The Panorama Cabinet Features a Frameless Acrylic Door of Clear or Opaque Textured Acrylic with Many Lettering Options.

Door & Trim Construction: Flush acrylic cabinet doors are attached by a continuous hinge and equipped with zinc-plated handle and roller catch. 1-3/4" trim on cabinet has #4 stainless steel finish.

Trim Style & Depth: Recessed 3/8" flat trim, Semi Recessed - 1-1/4", 1-1/2" Square Edge or 2-1/2", 3", 4", 4-1/2" Rolled Edge (4" has recessed pull). Surface-mount models have a square edge or optional rolled edge upon request. See separated Submittal for trimless models.

Tub: The tub is constructed of cold rolled steel with white powder-coat finish standard. Surface mount models have #4 stainless steel tub.

Fire-Rated Option Available: Yes - See separate Submittal Form.

STEP 1: SELECT MODEL NUMBER, MATERIAL AND QUANTITY ON CHART (refer to chart on pg 2)

A. Determine Trim Style according to wall depth. B. Determine Tub I.D. according to size most suited for extinguisher and wall opening.

STEP 2: SELECT DOOR ACRYLIC WITH HANDLE

(Check one box below)

C70 Clear 3/16" Unlettered Smooth Acrylic

P Identity: 3/16" Textured Obscure Acrylic with Lettering

C71 Clear 3/16" Unlettered Smooth Acrylic & Saf-T-Lok™

Q Identity: 3/16" Textured Obscure Acrylic with Lettering & Saf-T-Lok™

STEP 3 - P&Q DOORS SELECT LETTERING STYLE

View lettering styles on page 2 or:

[VIEW LETTERING STYLES ONLINE](#)

| | | |
|---|--|--|
| 40 Vert, Black Bkgd, White Lettering | 45 Horiz, Black Bkgd, White Lettering | 50 Ascending, Black Bkgd, White Lettering |
| 41 Vert, Red Bkgd, White Lettering | 46 Horiz, Red Bkgd, White Lettering | 51 Ascending, Red Bkgd, White Lettering |
| 42 Vert, White Bkgd, Black Lettering | 47 Horiz, White Bkgd, Black Lettering | 52 Ascending, White Bkgd, Black Lettering |
| 43 Vert, White Bkgd, Red Lettering | 48 Horiz, White Bkgd, Red Lettering | 53 Ascending, White Bkgd, Red Lettering |



1036C70



1038Q43

[BIM Objects for REVIT® Platform](#)

STEP 4: OPTIONAL FEATURES AT ADDED COST (SELECT ANY)

Optional Tub Color: ___ Black ___ Red

Stainless Tub ___ #4 Finish

Futura "Fire" Handle ___ Mill Aluminum (PUF) ___ Red ___ White

(CA) Commander Alarm

Flush Pull Handle for "P" or "Q" Style Doors Only

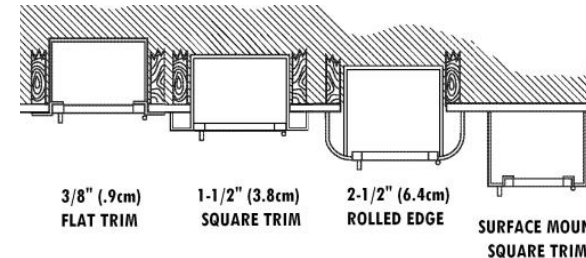
(BA) Brigadier Alarm

Polished Chrome Lever Handle (P6)

(SA) Strobe Alarm (surf mount)

Other Stainless Finish: ___ #6 ___ #7 ___ #8

Rolled Edge Surface Mount (See separate submittal)



See Other Submittals: [Decals & Die Lettering](#), [Wall Signs](#), [Alarms](#), [Pulls & Levers](#)

| | | |
|---|--------------|--------------|
| <p>ACTIVAR INC. CONSTRUCTION PRODUCTS GROUP PANORAMA AND SAF-T-LOK ARE TRADEMARKS OF ACTIVAR PLEASE DOWNLOAD MOST CURRENT SUBMITTAL FROM WEBSITE BEFORE ORDERING</p> | Distributor: | Quantity: |
| | Contractor: | Approved By: |
| | Model #: | Architect: |
| | Project: | Date: |

© Activar Construction Products Group, Inc 2016

9/19/16

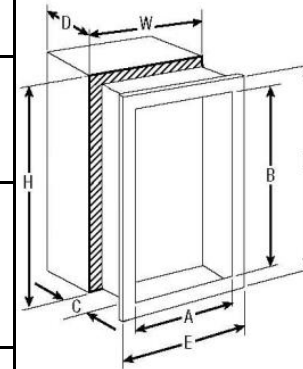


FOR MORE INFORMATION CALL 1-888-926-1365

Superior Specialty Supply • 9 Council Drive • PO Box 417 • Woodsboro, MD 21798 • www.sssupply.com

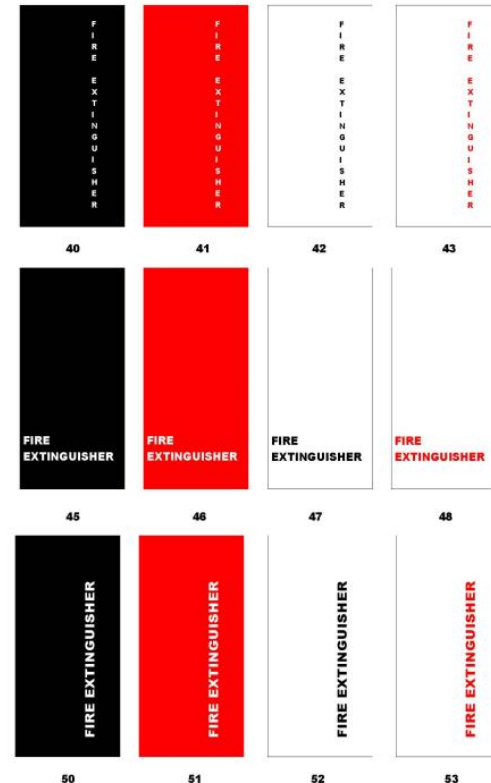
SUBMITTAL: PANORAMA STAINLESS STEEL FIRE EXTINGUISHER CABINETS

| TRIM & DOOR SERIES # | | | Tub I.D. | | | Frame O.D. | | Wall Opening | | | View Extinguishers |
|----------------------|-------------|-------------------------------|----------|---------|-------|------------|--------|--------------|----|-------|---|
| QTY | Model | Trim Style (in) | A | B | C | E | F | W | H | D | |
| | 8135 | Flat trim • | 9 | 18 | 5 1/2 | 12 3/8 | 21 3/8 | 10 | 19 | 5 3/8 | Cosmic & Galaxy 2 1/2-6, Mercury 2 1/2- 5 |
| | 8136 | 1 1/2 Square • | 9 | 18 | 5 1/2 | 12 3/8 | 21 3/8 | 10 | 19 | 4 1/8 | |
| | 8137 | 2 1/2 Rolled • | 9 | 18 | 5 1/2 | 12 3/8 | 21 3/8 | 10 | 19 | 3 1/8 | |
| | 8133 | Surf. Mtd. Sq. | 12 3/16 | 21 3/16 | 6 | 12 3/8 | 21 3/8 | -- | -- | -- | |
| | 1835 | Flat trim • | 10 1/2 | 24 | 5 1/2 | 13 7/8 | 27 3/8 | 11 1/2 | 25 | 5 3/8 | Cosmic & Galaxy 2 1/2-6 Mercury 2 1/2-5 |
| | 1836 | 1 1/2 Square • | 10 1/2 | 24 | 5 1/2 | 13 7/8 | 27 3/8 | 11 1/2 | 25 | 4 1/8 | |
| | 1837 | 3 Rolled • | 10 1/2 | 24 | 5 1/2 | 13 7/8 | 27 3/8 | 11 1/2 | 25 | 2 5/8 | |
| | 1832 | 4 Rolled/ADA Pull* (• P or Q) | 10 1/2 | 24 | 5 1/2 | 13 7/8 | 27 3/8 | 11 1/2 | 25 | 1 5/8 | |
| | 1838 | 4 1/2 Rolled | 10 1/2 | 24 | 5 1/2 | 13 7/8 | 27 3/8 | 11 1/2 | 25 | 1 1/8 | |
| | 1035 | Flat trim • | 10 1/2 | 24 | 6 | 13 7/8 | 27 3/8 | 11 1/2 | 25 | 5 7/8 | Cosmic & Galaxy 2 1/2-10 Mercury 2 1/2-5, Sentinel 5 |
| | 1036 | 1 1/2 Square • | 10 1/2 | 24 | 6 | 13 7/8 | 27 3/8 | 11 1/2 | 25 | 4 5/8 | |
| | 1037 | 3 Rolled • | 10 1/2 | 24 | 6 | 13 7/8 | 27 3/8 | 11 1/2 | 25 | 3 1/8 | |
| | 1032 | 4 Rolled/ADA Pull* (• P or Q) | 10 1/2 | 24 | 6 | 13 7/8 | 27 3/8 | 11 1/2 | 25 | 2 1/8 | |
| | 1038 | 4 1/2 Rolled | 10 1/2 | 24 | 6 | 13 7/8 | 27 3/8 | 11 1/2 | 25 | 1 5/8 | |
| | 1033 | Surf. Mtd. Sq. | 13 11/16 | 27 3/16 | 6 1/2 | 13 7/8 | 27 3/8 | -- | -- | -- | |
| | 2035 | Flat trim • | 12 | 27 | 7 3/4 | 15 3/8 | 30 3/8 | 13 | 28 | 7 5/8 | |
| | 2036 | 1 1/4 Square • | 12 | 27 | 7 3/4 | 15 3/8 | 30 3/8 | 13 | 28 | 6 5/8 | Any Cosmic**, Galaxy**, Mercury, Saturn or Grenadier P, Sentinel 5 & 10 |
| | 2037 | 2 1/2 Rolled • | 12 | 27 | 7 3/4 | 15 3/8 | 30 3/8 | 13 | 28 | 5 5/8 | |
| | 2032 | 4 Rolled/ADA Pull* (• P or Q) | 12 | 27 | 7 3/4 | 15 3/8 | 30 3/8 | 13 | 28 | 3 7/8 | |
| | 2038 | 4 1/2 Rolled | 12 | 27 | 7 3/4 | 15 3/8 | 30 3/8 | 13 | 28 | 3 3/8 | |
| | 2033 | Surf. Mtd. Sq | 15 3/16 | 30 3/16 | 8 1/4 | 15 3/8 | 30 3/8 | -- | -- | -- | |
| | 3035 | Flat trim • | 16 | 32 | 7 3/4 | 19 3/8 | 35 3/8 | 17 | 33 | 7 5/8 | Any Cosmic**, Galaxy**, Mercury, Saturn or Grenadier P, Sentinel 5-15, 272 |
| | 3036 | 1 1/4 Square • | 16 | 32 | 7 3/4 | 19 3/8 | 35 3/8 | 17 | 33 | 6 5/8 | |
| | 3037 | 2 1/2 Rolled • | 16 | 32 | 7 3/4 | 19 3/8 | 35 3/8 | 17 | 33 | 5 3/8 | |
| | 3032 | 4 Rolled/ADA Pull* (• P or Q) | 16 | 32 | 7 3/4 | 19 3/8 | 35 3/8 | 17 | 33 | 3 7/8 | |
| | 3038 | 4 1/2 Rolled | 16 | 32 | 7 3/4 | 19 3/8 | 35 3/8 | 17 | 33 | 3 3/8 | |
| | 3033 | Surf. Mtd. Sq. | 19 3/16 | 35 3/16 | 8 1/4 | 19 3/8 | 35 3/8 | -- | -- | -- | |
| | 4035 | Flat trim • | 20 | 27 | 7 3/4 | 23 3/8 | 30 3/8 | 21 | 28 | 7 5/8 | Two each of: any Cosmic**, Galaxy**, Mercury, Saturn or Grenadier P, Sentinel 5 |
| | 4036 | 1 1/4 Square • | 20 | 27 | 7 3/4 | 23 3/8 | 30 3/8 | 21 | 28 | 6 5/8 | |
| | 4037 | 2 1/2 Rolled | 20 | 27 | 7 3/4 | 23 3/8 | 30 3/8 | 21 | 28 | 5 3/8 | |
| | 4032 | 4 Rolled/ADA Pull* (• P or Q) | 20 | 27 | 7 3/4 | 23 3/8 | 30 3/8 | 21 | 28 | 3 7/8 | |
| | 4038 | 4 1/2 Rolled | 20 | 27 | 7 3/4 | 23 3/8 | 30 3/8 | 21 | 28 | 3 3/8 | |
| | 4033 | Surf. Mtd. Sq | 23 3/16 | 30 3/16 | 8 1/4 | 23 3/8 | 30 3/8 | -- | -- | -- | |



1832P48—ADA Pull

PANORAMA "P" & "Q" DOOR GLAZING STYLES



Models shown in **Large Bold** above are available in several door styles for Quick Shipment. [See current Stock List.](#)

** Cosmic 20 & Galaxy 20 Extinguisher must be mounted on the back of the cabinet tub • Meets ADA Cabinet Projection Req.



FOR MORE INFORMATION CALL 1-888-926-1365

Superior Specialty Supply • 9 Council Drive • PO Box 417 • Woodsboro, MD 21798 • www.sssupply.com