

**SUBMITTAL: PANORAMA™ STEEL FIRE EXTINGUISHER CABINETS**

The Panorama Cabinet Features a Frameless Acrylic Door of Clear or Opaque Textured Acrylic with Many Lettering Options.

**Door & Trim Construction:** Flush acrylic cabinet doors are attached by a continuous hinge and equipped with zinc-plated handle and roller catch. 1-3/4" steel trim on cabinet has white powder coat finish.

**Trim Style & Depth:** Recessed 3/8" flat trim, Semi Recessed - 1-1/4", 1-1/2" Square Edge or 2-1/2", 3", 4", 4-1/2" Rolled Edge (4" has recessed pull). Surface-mount models have a square edge or optional rolled edge upon request. See separate submittal for trimless.

**Tub:** The tub is constructed of cold rolled steel with white powder-coat finish standard.

**Fire-Rated Option Available:** Yes - See separate Submittal Form.

**STEP 1: SELECT MODEL NUMBER, MATERIAL AND QUANTITY ON CHART** (refer to chart on pg 2)

- A. Determine Trim Style according to wall depth.
- B. Determine Tub I.D. according to size most suited for extinguisher and wall opening.

**STEP 2: SELECT DOOR ACRYLIC WITH HANDLE** (Check one box below)

- C70 Clear 3/16" Unlettered Smooth Acrylic
- C71 Clear 3/16" Unlettered Smooth Acrylic & Saf-T-Lok™
- P Identity: 3/16" Textured Obscure Acrylic with Lettering
- Q Identity: 3/16" Textured Obscure Acrylic with Lettering & Saf-T-Lok™

**STEP 3 - P&Q DOORS SELECT LETTERING STYLE** View lettering styles on page 2 or: [VIEW LETTERING STYLES](#)

|                                      |                                       |  |
|--------------------------------------|---------------------------------------|--|
| 40 Vert, Black Bkgd, White Lettering | 45 Horiz, Black Bkgd, White Lettering | 50 Ascend, Black Bkgd, White Lettering |
| 41 Vert, Red Bkgd, White Lettering   | 46 Horiz, Red Bkgd, White Lettering   | 51 Ascend, Red Bkgd, White Lettering   |
| 42 Vert, White Bkgd, Black Lettering | 47 Horiz, White Bkgd, Black Lettering | 52 Ascend, White Bkgd, Black Lettering |
| 43 Vert, White Bkgd, Red Lettering   | 48 Horiz, White Bkgd, Red Lettering   | 53 Ascend, White Bkgd, Red Lettering   |

**STEP 4: OPTIONAL FEATURES AT ADDED COST (SELECT ANY)**

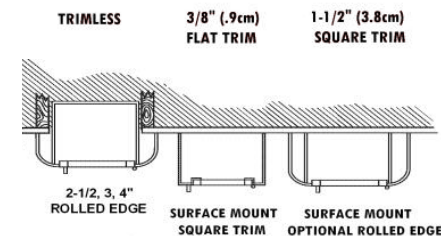
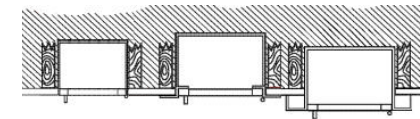
- Futura "Fire" Handle \_\_\_\_ Mill Aluminum (PUF) \_\_\_\_ Red \_\_\_\_ White
- Flush Pull Handle for P and Q Door Styles Only
- Polished Chrome Lever Handle (P6)
- Optional Color: \_\_\_\_ Red \_\_\_\_ Black \_\_\_\_ Flat Black
- \_\_\_\_ Sand \_\_\_\_ AMS Beige \_\_\_\_ SC Flat Beige
- \_\_\_\_ Gray Primer \_\_\_\_ Bronze \_\_\_\_ Satin Aluminum
- (CA) Commander Alarm
- (BA) Brigadier Alarm
- (SA) Strobe Alarm (Surf Mtd Models Only)
- Optional Tub Color: \_\_\_\_ Black \_\_\_\_ Red
- Rolled Edge Surface Mount - See Separate Submittal

[BIM Objects for REVIT® Platform](#)



**1012P48**  
4" Rolled Trim Semi-Recessed With ADAC Handle Standard

**1817Q51**  
3" Rolled Trim Semi-Recessed



For More Information on Options See Other Submittals: [Decals & Die Lettering](#), [Wall Signs](#), [Alarms](#), [Pulls & Levers](#)

|  |              |              |
|--|--------------|--------------|
| <p><b>ACTIVAR INC.</b><br/>CONSTRUCTION PRODUCTS GROUP</p> <p>PANORAMA AND SAF-T-LOK ARE TRADEMARKS OF ACTIVAR</p> <p>JLI INDUSTRIES PLEASE DOWNLOAD MOST CURRENT SUBMITTAL FROM WEBSITE BEFORE ORDERING</p> | Distributor: | Quantity:    |
|  | Contractor:  | Approved By: |
|  | Model #:     | Architect:   |
|  | Project:     | Date:        |

9/19/16

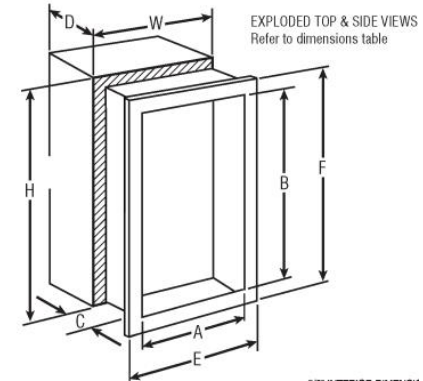


**FOR MORE INFORMATION CALL 1-888-926-1365**

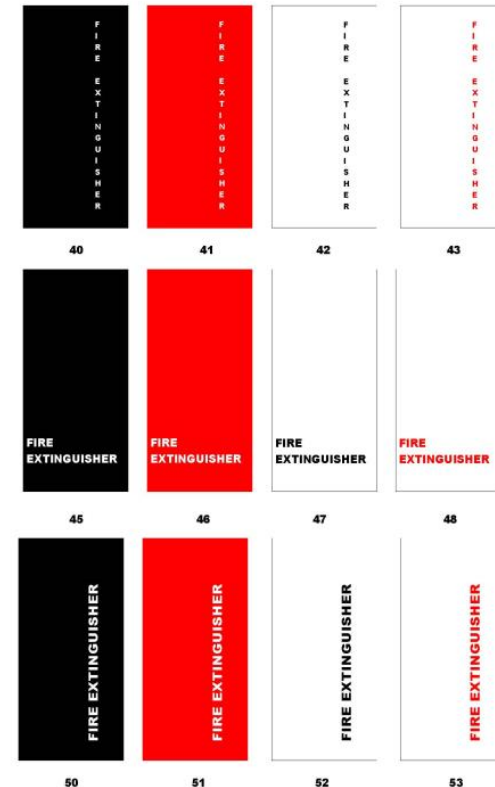
Superior Specialty Supply • 9 Council Drive • PO Box 417 • Woodsboro, MD 21798 • [www.sssupply.com](http://www.sssupply.com)

## SUBMITTAL: PANORAMA STEEL FIRE EXTINGUISHER CABINETS

| TRIM & DOOR SERIES # |             |                     | Tub I.D. |         |       | Frame O.D. |        | Wall Opening |        |       | View Extinguishers  |
|----------------------|-------------|---------------------|----------|---------|-------|------------|--------|--------------|--------|-------|---|
| QTY                  | Model       | Trim Style (in)     | A        | B       | C     | E          | F      | W            | H      | D     |   |
|                      | <b>8114</b> | ●Trimless           | 9        | 18      | 5 1/2 | 9 1/4      | 18 1/4 | 9 1/2        | 18 1/2 | 5 5/8 | Cosmic & Galaxy<br>2 1/2-6,<br>Mercury 2 1/2- 5   |
|                      | <b>8115</b> | ●Flat trim          | 9        | 18      | 5 1/2 | 12 3/8     | 21 3/8 | 10           | 19     | 5 3/8 |   |
|                      | <b>8116</b> | ●1 1/2 Square       | 9        | 18      | 5 1/2 | 12 3/8     | 21 3/8 | 10           | 19     | 4 1/8 |   |
|                      | <b>8117</b> | ●2 1/2 Rolled       | 9        | 18      | 5 1/2 | 12 3/8     | 21 3/8 | 10           | 19     | 3 1/8 |   |
|                      | <b>8113</b> | Surf. Mtd Sq        | 12 3/16  | 21 3/16 | 6     | 12 3/8     | 21 3/8 | --           | --     | --    |   |
|                      | <b>1815</b> | ●Flat trim          | 10 1/2   | 24      | 5 1/2 | 13 7/8     | 27 3/8 | 11 1/2       | 25     | 5 3/8 | Cosmic & Galaxy<br>2 1/2-6,<br>Mercury 2 1/2-5  |
|                      | <b>1816</b> | ●1 1/2 Square       | 10 1/2   | 24      | 5 1/2 | 13 7/8     | 27 3/8 | 11 1/2       | 25     | 4 1/8 |   |
|                      | <b>1817</b> | ●3 Rolled           | 10 1/2   | 24      | 5 1/2 | 13 7/8     | 27 3/8 | 11 1/2       | 25     | 2 5/8 |   |
|                      | <b>1812</b> | 4 Rolled*(● P or Q) | 10 1/2   | 24      | 5 1/2 | 13 7/8     | 27 3/8 | 11 1/2       | 25     | 1 5/8 |   |
|                      | <b>1818</b> | 4 1/2 Rolled        | 10 1/2   | 24      | 5 1/2 | 13 7/8     | 27 3/8 | 11 1/2       | 25     | 1 1/8 |   |
|                      | <b>1014</b> | ●Trimless           | 10 1/2   | 24      | 6     | 10 3/4     | 24 1/4 | 11           | 24 1/2 | 6 1/4 | Cosmic & Galaxy<br>2 1/2-10<br>Mercury 2 1/2-5,<br>Sentinel 5                               |
|                      | <b>1015</b> | ●Flat trim          | 10 1/2   | 24      | 6     | 13 7/8     | 27 3/8 | 11 1/2       | 25     | 5 7/8 |   |
|                      | <b>1016</b> | ●1 1/2 Square       | 10 1/2   | 24      | 6     | 13 7/8     | 27 3/8 | 11 1/2       | 25     | 4 5/8 |   |
|                      | <b>1017</b> | ●3 Rolled           | 10 1/2   | 24      | 6     | 13 7/8     | 27 3/8 | 11 1/2       | 25     | 3 1/8 |   |
|                      | <b>1012</b> | 4 Rolled*(● P or Q) | 10 1/2   | 24      | 6     | 13 7/8     | 27 3/8 | 11 1/2       | 25     | 2 1/8 |   |
|                      | <b>1018</b> | 4 1/2 Rolled        | 10 1/2   | 24      | 6     | 13 7/8     | 27 3/8 | 11 1/2       | 25     | 1 5/8 |   |
|                      | <b>1013</b> | Surf Mtd. Sq        | 13 11/16 | 27 3/16 | 6 1/2 | 13 7/8     | 27 3/8 | --           | --     | --    |   |
|                      | <b>2014</b> | ●Trimless           | 12       | 27      | 7 3/4 | 12 1/4     | 27 1/4 | 12 1/2       | 27 1/2 | 8     | Any Cosmic**,<br>Galaxy**, Mercury,<br>Saturn or<br>Grenadier P,<br>Sentinel 5 & 10         |
|                      | <b>2015</b> | ●Flat trim          | 12       | 27      | 7 3/4 | 15 3/8     | 30 3/8 | 13           | 28     | 7 5/8 |   |
|                      | <b>2016</b> | ●1 1/4 Square       | 12       | 27      | 7 3/4 | 15 3/8     | 30 3/8 | 13           | 28     | 6 5/8 |   |
|                      | <b>2017</b> | ●2 1/2 Rolled       | 12       | 27      | 7 3/4 | 15 3/8     | 30 3/8 | 13           | 28     | 5 5/8 |   |
|                      | <b>2012</b> | 4 Rolled*(● P or Q) | 12       | 27      | 7 3/4 | 15 3/8     | 30 3/8 | 13           | 28     | 3 7/8 |   |
|                      | <b>2018</b> | 4 1/2 Rolled        | 12       | 27      | 7 3/4 | 15 3/8     | 30 3/8 | 13           | 28     | 3 3/8 |   |
|                      | <b>2013</b> | Surf Mtd. Sq        | 15 3/16  | 30 3/16 | 8 1/4 | 15 3/8     | 30 3/8 | --           | --     | --    |   |
|                      | <b>3015</b> | ●Flat trim          | 16       | 32      | 7 3/4 | 19 3/8     | 35 3/8 | 17           | 33     | 7 5/8 | Two each of: any<br>Cosmic**, Galaxy**,<br>Mercury, Saturn or<br>Grenadier P,<br>Sentinel 5 |
|                      | <b>3016</b> | ●1 1/4 Square       | 16       | 32      | 7 3/4 | 19 3/8     | 35 3/8 | 17           | 33     | 6 5/8 |   |
|                      | <b>3017</b> | ●2 1/2 Rolled       | 16       | 32      | 7 3/4 | 19 3/8     | 35 3/8 | 17           | 33     | 5 3/8 |   |
|                      | <b>3012</b> | 4 Rolled*(● P or Q) | 16       | 32      | 7 3/4 | 19 3/8     | 35 3/8 | 17           | 33     | 3 7/8 |   |
|                      | <b>3018</b> | 4 1/2 Rolled        | 16       | 32      | 7 3/4 | 19 3/8     | 35 3/8 | 17           | 33     | 3 3/8 |   |
|                      | <b>3013</b> | Surf Mtd. Sq        | 19 3/16  | 35 3/16 | 8 1/4 | 19 3/8     | 35 3/8 | --           | --     | --    |   |
|                      | <b>4015</b> | ●Flat trim          | 20       | 27      | 7 3/4 | 23 3/8     | 30 3/8 | 21           | 28     | 7 5/8 |   |
|                      | <b>4016</b> | ●1 1/4 Square       | 20       | 27      | 7 3/4 | 23 3/8     | 30 3/8 | 21           | 28     | 6 5/8 |   |
|                      | <b>4017</b> | ●2 1/2 Rolled       | 20       | 27      | 7 3/4 | 23 3/8     | 30 3/8 | 21           | 28     | 5 3/8 |   |
|                      | <b>4012</b> | 4 Rolled*(● P or Q) | 20       | 27      | 7 3/4 | 23 3/8     | 30 3/8 | 21           | 28     | 3 7/8 |   |
|                      | <b>4018</b> | 4 1/2 Rolled        | 20       | 27      | 7 3/4 | 23 3/8     | 30 3/8 | 21           | 28     | 3 3/8 |   |
|                      | <b>4013</b> | Surf Mtd. Sq        | 23 3/16  | 30 3/16 | 8 1/4 | 23 3/8     | 30 3/8 | --           | --     | --    |   |



PANORAMA "P" & "Q" DOOR GLAZING STYLES



Models shown in **Large Bold** above are available in several door styles for Quick Shipment. [See current Stock List.](#)

\*\* Cosmic 20 & Galaxy 20 Extinguisher must be mounted on the back of the cabinet tub

\* 4" Rolled models have recessed pull for P and Q Doors and standard pull for C Styles

● ADA Cabinet Projection



**FOR MORE INFORMATION CALL 1-888-926-1365**

Superior Specialty Supply • 9 Council Drive • PO Box 417 • Woodsboro, MD 21798 • [www.sssupply.com](http://www.sssupply.com)