

**SUBMITTAL: FX™ FIRE-RATED SECURITY/DETENTION FIRE EXTINGUISHER CABINETS**

JL security and detention cabinets for fire extinguishers, fire hoses or fire department valves are constructed to meet maximum security requirements in areas where fire protection is required. All recessed models have heavy-duty masonry anchors welded to the frame.

**Door & Trim:** 12 gauge (0.27 cm) white powder-coated steel or 14 gauge #4 satin finish stainless door. Flush cabinet doors are mounted in a 5/8" door stop and attached by a heavy-duty continuous hinge.

**Trim Style & Depth:** 2" trim on frame. Available in *Recessed* with flat trim and *Semi-recessed* with 2-1/2" square trim

**Tub:** The double tub steel cabinets is constructed of 14 gauge cold rolled steel inside liner with white powder-coat finish standard. Fire-resistant material is sandwiched between the layers of steel. Heavy duty masonry anchors provided on recessed & semi recessed models

**Lock Prep:** Detention deadlock, detention slam lock or mortise cylinder. Select below.

**Knockouts:** Knockouts are not provided on Fire-Rated Cabinets. Instructions for Knockouts in the field are provided and must be strictly adhered to, to maintain fire rating.



**Fire-Rating:** The recessed and semi-recessed Fire-FX™ cabinets are fabricated in accordance with the Warnock Hersey label for one and two hour combustible and non-combustible wall system building codes. The fire testing has met the requirement of the UBC standard 43-6 and ASTM-E814-83 for membrane and penetration firestops. Installation instructions must be strictly adhered to in order to obtain the fire rating. The installation of any fire-rated cabinet which lacks a cabinet door or a condition in which the door is left ajar, will void the fire rating.

[View Detention](#)

**STEP 1: Select Door & Trim Materials From Chart on Page 2**

**STEP 2: Select Lock Prep (Included in Price)**

[Lock Options Here](#)

\_\_\_ (DDP) Detention Deadlock Prep. (lock by others) Specify Type: \_\_\_\_\_

\_\_\_ (DSP) Detention Slam Lock Prep. (lock by others) Specify Type: \_\_\_\_\_

\_\_\_ (MCP) Mortise Cylinder Cam Prep. (no additional cost unless brass ret. ring is required)  
Specify Type: \_\_\_\_\_

**STEP 2 A: If Lock Prep Not Select Above: Select Optional Lock by JL at Additional Cost:**

\_\_\_ (MDP) Mortise Deadbolt Prep. (lock by others) Specify Type: \_\_\_\_\_

\_\_\_ Mortise Cylinder Cam Lock Installed : \_\_\_ (MCP-SL-AMP) or \_\_\_ (MCP-SL-1E74) \_\_\_ Other\*

\_\_\_ Mortise Deadbolt Installed: \_\_\_ (MDP-SL-AMP) or \_\_\_ (MDP-SL-1E74)

\_\_\_ Other\*

\_\_\_ (DDI5010) Detention Deadlock Installed– example of key at right

\_\_\_ (DDI5017) Detention Slam Lock Installed – example of key at right



\*Other - Specify Mfg, Model and Keycut (if needed):

**SFC11FX with Optional Detention  
Deadbolt DDI5010 Installed**

**STEP 3: SELECT OTHER OPTIONS AT ADDITIONAL COST:**

\_\_\_ Red Powder Coat Finish for Steel Cabinets


\_\_\_ Red Fire Extinguisher Lettering [View Lettering Submittal & Choices](#)

\_\_\_ Black Fire Extinguisher Lettering

\_\_\_ Stainless Steel - 12 gauge # 4 Satin Finish. This model features stainless steel door, trim and tub.

\_\_\_ **Customer-supplied Lock Installed.** Be Sure to Select Lock Prep Above and Specify Mfg, Model: \_\_\_\_\_

\_\_\_ #0646 Brass Retaining Ring for MP (may be required for locks by others)

 <p><b>ACTIVAR INC.</b> CONSTRUCTION PRODUCTS GROUP</p> <p>SFC, SHC AND SVC ARE TRADEMARKS OF ACTIVAR PLEASE DOWNLOAD MOST CURRENT SUBMITTAL FROM WEBSITE BEFORE ORDERING</p>	Distributor:	Quantity:
	Contractor:	Approved By:
	Model #:	Architect:
	Project:	Date: <span style="float: right;">© Activar Construction Products Group 2016</span>
10/14/16		

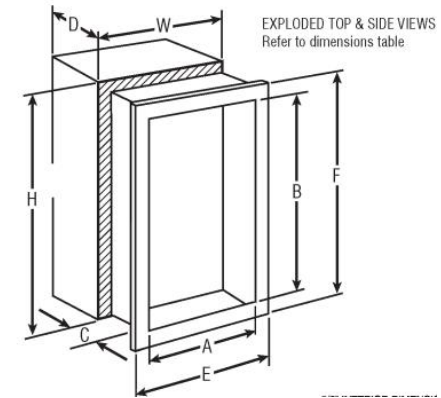


**FOR MORE INFORMATION CALL 1-888-926-1365**

**Superior Specialty Supply • 9 Council Drive • PO Box 417 • Woodsboro, MD 21798 • [www.sssupply.com](http://www.sssupply.com)**

## SUBMITTAL: FX-OPTION SECURITY/DETENTION FIRE EXTINGUISHER CABINETS

TRIM & DOOR MATERIAL & SERIES				AVAILABLE TUB I.D. W x H x D in Inches			FRAME O.D. W x H in Inches		WALL OPENING FIRE-RATED FX OPTION			APPROX SHIP WT	RECOMMENDED HOSE, RACK & EXTINGUISHER		
QTY	STEEL	QTY	STAINLESS	TRIM STYLE	A	B	C	E	F	W	H	D		LBS	
<b>SECURITY FIRE EXTINGUISHER CABINETS (SFC)</b>													View Fire Extinguisher Information		
	SFXFC-11		SSFXFC-31	Flat Trim	10-1/2	24	7	13-1/2	27	12-1/2	26-1/2	8		41	Cosmic & Galaxy 2.5-10, Mercury 2.5-5, Sentinel 5
	SFXFC-12		SSFXFC-32	2-1/2" Square Trim	10-1/2	24	7	13-1/2	27	12-1/2	26-1/2	5-1/2		45	
	SFXFC-15		SSFXFC-35	Flat Trim	12	27	8-1/2	15	30	14	29-1/2	10		54	Any Cosmic, Galaxy, Mercury, Saturn 15, Sentinel 5
	SFXFC-16		SSFXFC-36	2-1/2" Square Trim	12	27	8-1/2	15	30	14	29-1/2	7-1/2	56		
<b>SECURITY VALVE CABINETS (SVC)</b>													1-1/2" or 2-1/2" Fire Department Valve		
	SFXVC-11		SSFXVC-31	Flat Trim	18	18	8-1/2	21	21	20	20-1/2	9-1/2		53	
	SFXVC-12		SSFXVC-32	2-1/2" Square Trim	18	18	8-1/2	21	21	20	20-1/2	7	54		
<b>SECURITY HOSE CABINETS (SHC)</b>													1-1/2" or 2-1/2" Hose Rack, & Extinguisher, or F. D. Valve & Extinguisher*		
	SFXHC-11		SSFXHC-31	Flat Trim	32-3/4	34-3/4	8	35-3/4	37-3/4	34-3/4	36-3/4	9		132	
	SFXHC-12		SSFXHC-32	2-1/2" Square Trim	32-3/4	34-3/4	9	35-3/4	37-3/4	34-3/4	36-3/4	6-1/2	157		



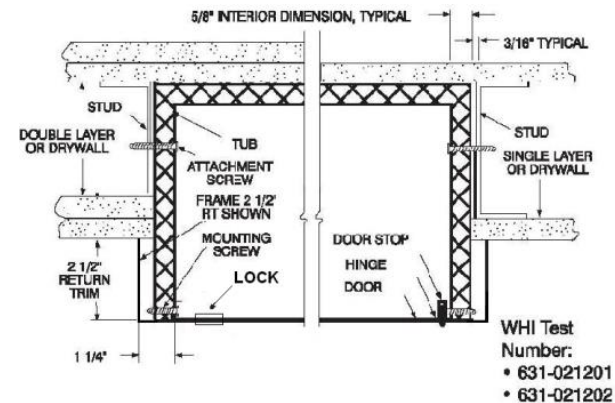
Double Tub Construction of JL's Fire-Rated Cabinets

All Model Number Shown in **Blue Text** are ADA-Compliant



SSVC-32FX

*New—Deeper SFC 11 & 12, SSFC 31 & 32 Cabinet Now Fits 10 lb Cosmic and Galaxy!!*



WHI Test Number:  
• 631-021201  
• 631-021202



**FOR MORE INFORMATION CALL 1-888-926-1365**

Superior Specialty Supply • 9 Council Drive • PO Box 417 • Woodsboro, MD 21798 • [www.sssupply.com](http://www.sssupply.com)