



## FIRE RESISTIVE ACCESS DOOR

### Model KATR

For Drywall Ceilings



DATE

#### SPECIFICATIONS

##### GENERAL SCOPE:

Access doors shall be Karp Type KATR as manufactured by Karp Associates, Inc., Melville, N.Y. Sizes shall be as indicated on the drawings.

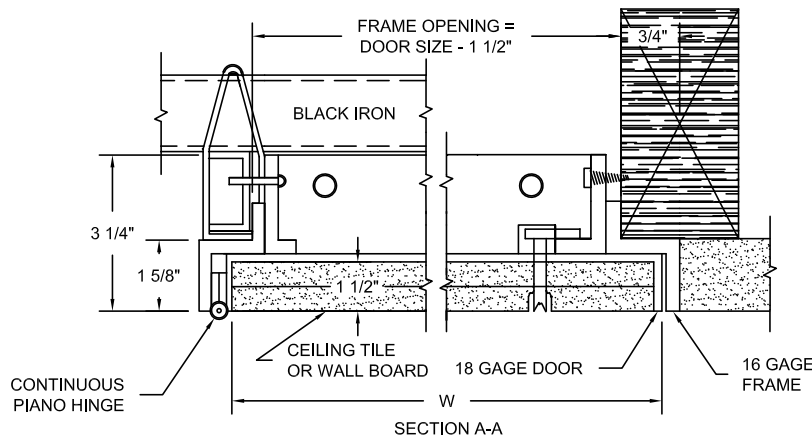
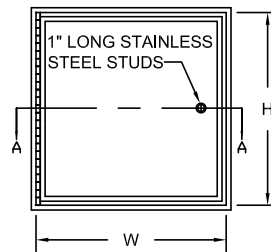
##### CONSTRUCTION:

1. Frame shall be 16 gage steel and doors all be 18 gage steel.
2. Door shall be recessed 1 1/2" to accommodate double thickness of wall board.
3. Hinge shall be exposed, continuous piano hinge.
4. Locks shall be flush and screwdriver operated with 1 1/2" cam and lock studs, or shall be key operated cylinder lock with automatic dust shutter. Furnished with plastic grommet for studs only to protect hole made in wall board.
5. Finish shall be prime coat of rust inhibitive electrostatic powder, baked white enamel.

#### STANDARD SIZES

DOOR SIZE H X W (IN.)	WALL/CEILING OPENING (IN.)	NUMBER OF LATCHES	SHIP WT. (LBS.)
12 x 12	10 1/2 x 10 1/2	1	6.7
18 x 18	16 1/2 x 16 1/2	2	11.6
24 x 24	22 1/2 x 22 1/2	2	18.1
30 x 22	28 1/2 x 20 1/2	2	19.5

PROJECT DATA					
Project Name:					
Architect:					
Contractor:					
Agent/Customer Name:					
Tagging Instructions:					
Special Instructions:					
PROJECT SCHEDULE					
Qty.	H	W	No. of Latches	Finish	Remarks



Made with Union Labor



**FOR MORE INFORMATION CALL 1-888-926-1365**  
 Superior Specialty Supply • 9 Council Drive • PO Box 417 • Woodsboro, MD 21798 • [www.sssupply.com](http://www.sssupply.com)