



A CSW Industrials Company



PRODUCT DATA SHEET

For list of systems see metacaulk.com.



METACAULK® 835+
Elastomeric, Silicone firestop sealant

1. Product Description

Metacaulk® 835+ is a one component, fire-rated elastomeric neutral, moisture cure silicone sealant for use in through-penetration firestops. Available in two grades caulk grade and self leveling. In the event of a fire, Metacaulk® 835+ will prevent the spread of flames, smoke, gas and water through penetration openings. Metacaulk® 835+ is a flexible, non-slumping sealant with excellent moisture resistance. For use in interior or exterior expansion and control joints and interior or exterior penetrations. Because Metacaulk® 835+ is silicone based, it can be used in systems where dynamic movement is expected. **Metacaulk® 835+ is protected in a wet stage as well as in a dry stage against mold growth with a combination of biocides.**

Use Metacaulk® 835+ for various penetrations:

- EMT, Semi-Rigid, and Rigid Conduit
- Steel Pipe
- Wall to Decking Transition Joints
- Wall to Floor Transition Joints
- Wall to Wall Control Joints
- Floor to Floor Control Joints

Metacaulk® 835+ Features

- * A single component penetration sealant system - no mixing necessary and no required additives.
- * Use in Interior or Exterior Expansion, Contraction and Control Joints.
- * Use in Exterior and Interior Penetrations.
- * Neutral, Moisture Cure
- * DOT Classification is Not Regulated.
- * Non-Slump Formula.
- * Applied with a conventional caulking gun, trowel or with pumping equipment.

- * A special purpose firestop sealant.
- Metacaulk® 835+**



2. Material Properties

Asbestos Fillers	None
Application	Standard 10.15 oz (300 ml) Caulking Tubes, 20.2 oz & 5 Gallon (18.9 L) Pails
Color	Gray
Cure Time	21 Days
Elongation at Break (ASTM D412)	600%
Volatile Solvents	None
Volume Coverage	(cu in/10.15 oz tube) 18 (cu cm/300 ml) 295 (cu in/gal) 231 (cu cm/L) 1000
Working Time	5-15 min. (caulk grade)
Specific Gravity	1.33
Dielectric Strength (ASTM D149)	479 V/mil (19.0 kV/mm)
ASTM E 84, UL 723 Tunnel Test	
Flame Spread Index	3
Smoke Index	22

Service Temp Range -60°F to 300°F
(ASTM C1299) (-51°C to 149°C)

Metacaulk® 835+ meets ASTM C920, Type S, Grade NS, Class 25, Use NT, M, G, A, O and Can/CGSB-19.13-M87, Class MCG-2-40-A-L.

Sound Transmission Class
STC 55*

*Tested in a UL 4121 wall assembly/section to ASTM E90.

3. Applications

Metacaulk® 835+ caulk grade is used to seal wall and floor penetrations for electrical, plumbing, pipe and telephone communication systems penetrations. Non-Slump Metacaulk® 835+ formula is used in vertical and horizontal applications. Use Metacaulk® 835+ to prevent the spread of fire through fire rated gypsum wallboard partitions, concrete block or concrete walls and concrete floors. Self leveling is used for curtain wall and floor joint applications.

4. Installation Data (typical)

Install Metacaulk® 835+ using standard caulking techniques or trowel from pails.

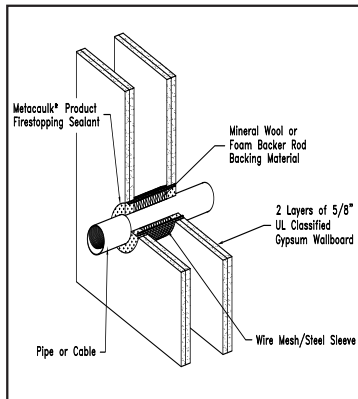
TYPICAL GYPSUM WALLBOARD INSTALLATION

- Step 1)** Cut opening in floor or wall.
 - Step 2)** Clean penetration opening and surfaces from loose debris, dirt, oil and wax.
 - Step 3)** Install wire mesh if required. Form wire mesh into cylinder to match hole diameter. Slip wire mesh inside wall along penetrating item and allow mesh to spring back against hole.
 - Step 4)** Install backing material if required.
 - Step 5)** Gun the sealant as required to the specified depth. Trowel surface flush with wall.
- (Application designs vary, please contact The RectorSeal Corporation for exact details.)
Consult UL Directory for complete instructions and system listings.



FOR MORE INFORMATION CALL 1-888-926-1365
Superior Specialty Supply • 9 Council Drive • PO Box 417 • Woodsboro, MD 21798 • www.sssupply.com

METACAULK® 835+



5. Test Data

Metacaulk® 835+ is Classified by Underwriters Laboratories Inc. as a Fill, Void, or Cavity Material. For specific test criteria see UL Fire Resistance Directory or call RECTORSEAL.

Metacaulk® 835+ was tested at a minimum 0.01 inches (2.5 Pa) water, positive pressure, in accordance with UL 1479 and ASTM E814 test standards. Tested to CAN/UL-S115 (Fire Tests of Firestop Systems) test standards.

Through-Penetration Firestop, UL System Numbers W-J-1018, W-J-3013, W-J-3014, W-L-1013, W-L-1034, W-L-3028, W-L-3029 & W-L-7012 are for use in gypsum wallboard with steel or wood studs and for use in concrete block construction. UL System Numbers C-AJ-1115, C-AJ-1035, C-AJ-1037, C-AJ-1059 & C-AJ-7028 are for use in concrete or concrete block wall and concrete floor construction. See Metacaulk.com for more systems.



FBC™ System Compatible* indicates that this product has been tested, and is monitored on an ongoing basis, to assure its chemical compatibility with FlowGuard Gold®, BlazeMaster® and Corzan® pipe and fittings.

FBC, FlowGuard Gold®, BlazeMaster® and Corzan® are licensed trademarks of the Lubrizol Corporation.

10. LIMITED WARRANTY

RectorSeal, LLC makes the Limited Express Warranty that when the instructions for storage and handling of our products are followed we warrant our products to be free from defects. THIS LIMITED EXPRESS WARRANTY IS EXPRESSLY IN LIEU OF ANY OTHER EXPRESS OR IMPLIED WARRANTIES, INCLUDING ANY IMPLIED WARRANTY OF MERCHANTABILITY OR FITNESS FOR A PARTICULAR PURPOSE, AND OF ANY OTHER OBLIGATION ON THE PART OF RECTORSEAL, LLC. The sole remedy for breach of the Limited Express Warranty shall be the refund of the purchase price. All other liability is negated and disclaimed, and RectorSeal, LLC shall not be liable for incidental or consequential damages.

Suggestions and recommendations covering the use of our products are based on our past experience and laboratory findings. However, as we have no control as to the methods and conditions of application, we only assume responsibility for the uniformity of our products within manufacturing tolerances.

6. Storage & Handling

Metacaulk® 835+ is not to be stored in areas where the temperatures exceed 90° F (32° C) or drop below 40° F (4° C). Keep products stored under protective cover, in their original containers. Products have a minimum shelf life of 2 years subject to re-inspection thereafter. A stock rotation program is recommended.

7. Availability

Metacaulk® 835+ caulk grade is available in:

10.15 oz. (300 ML) standard caulking tubes
 , 5 gallon (18.9 L) pails and 20.2 oz sausage

Metacaulk® 835+ self leveling is available in:
 20.2 oz sausage

8. Limitations

Do not use Metacaulk® 835+ in computer rooms without first consulting RectorSeal

9. CAUTIONS

FOR CHEMICAL EMERGENCY, SPILL, LEAK, FIRE, EXPOSURE OR ACCIDENT, CALL CHEMTREC-DAY OR NIGHT 1-800-424-9300.

CONTAINS: Silicones. **PRECAUTIONS:** Do not take internally. May cause eye, skin, and respiratory tract irritation. Wear gloves and safety glasses. Wash after handling. **FIRST AID:** For any overexposure or if skin irritation develops, get immediate medical attention after first aid is given. **EYES** - Flush for 15 minutes with clean water. **SKIN** - Wash with soap and water. Do not use solvents to remove from skin. **INHALATION** - Remove to fresh air. **INGESTION** - DO NOT INDUCE VOMITING. **SPILLS** - Clean up immediately with scrapers and mineral spirits. **STORAGE AND HANDLING** - Keep container upright and tightly closed. Do not reuse container. **KEEP OUT OF REACH OF CHILDREN.**

For additional information, refer to Safety Data Sheet

For additional technical service,
call: 713-263-8001 or 1-800-231-3345
Fax: 713-263-7577 or 1-800-452-2824

RECTORSEAL
 2601 Spenwick Drive, Houston, Texas 77055
www.rectorseal.com
www.metacaulk.com



FOR MORE INFORMATION CALL 1-888-926-1365
Superior Specialty Supply • 9 Council Drive • PO Box 417 • Woodsboro, MD 21798 • www.sssupply.com