

Connectors for Cold-Formed Steel Construction



## MSSC4.25KW and MSSC6.25KW Kneewall Connectors

MSSC connectors are designed to work in tandem with Simpson Strong-Tie® BP½-3 bearing plates to provide solutions for moment-resisting kneewall applications.

### Features:

- One simple custom hole pattern for each stud size simplifies specification and installation
- ¾" diameter anchor bolt location enables easy tool access

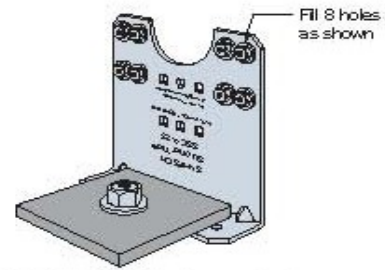
### Product Information:

**Material:** MSSC – 97 mil (60 ksi); BP – 229 mil (33 ksi)

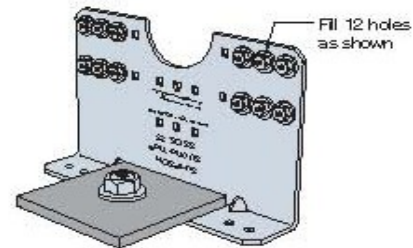
**Finish:** MSSC – Galvanized (G90); BP – None

### Ordering Information

Model Number	Ordering SKU	Package Quantity
MSSC4.25KW	MSSC4.25KW-KT20	Box of 20 connectors and 20 BP bearing plates
MSSC6.25KW	MSSC6.25KW-KT20	



MSSC4.25KW Fastener Pattern

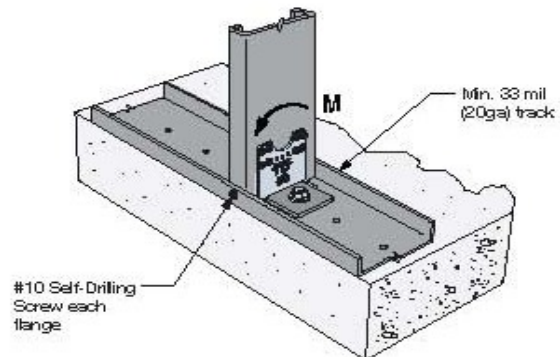


MSSC6.25KW Fastener Pattern

### Allowable Loads

Model No.	Connector Material Thickness mil (ga.)	L (in.)	Framing Member Depth (in.)	Fasteners		Stud Thickness mil (ga.)	Allowable Moment, M (in.-lbs.) <sup>2</sup>	Anchor Tension at Allowable Moment (lbs.) <sup>2</sup>	Rotational Stiffness for Wind Deflection (in.-lbs./rad.) <sup>2</sup>
				Anchor Dia. (in.)	Stud				
MSSC4.25KW	97 (12)	4¾	6	¾	8 - #10	33 (20)	3135	1690	64,800
						43 (18)	4320	2375	
						54 (16)	5830	2765	
MSSC6.25KW	97 (12)	6¾	8	¾	12 - #10	33 (20)	3845	1705	110,350
						43 (18)	3845	1705	
						54 (16)	8350	2885	

1. For additional information, see General Notes on page 17.
2. Tabulated values correspond to maximum connector strength without consideration of serviceability. Designer must check out-of-plane deflections using tabulated rotational stiffness.
3. Uplift may be linearly interpolated for design moment less than allowable.
4. Tabulated stiffness is applicable for walls up to 38" tall. For taller walls, the designer must consider additional deflection due to bending in the studs.
5. Tabulated stiffness has been increased for deflection checks using component and cladding wind loads in lieu of reducing loads in accordance with IBC table 1604.3, footnote f. Multiply rotational stiffness by 0.7 for other loading conditions.



Typical MSSCKW Installation



**FOR MORE INFORMATION CALL 1-888-926-1365**  
 Superior Specialty Supply • 9 Council Drive • PO Box 417 • Woodsboro, MD 21798 • [www.sssupply.com](http://www.sssupply.com)