



Products	Resources
Customer Service	Where To Buy
For Homeowners	About



SJC Steel-Joist Connectors

SJC steel-joist connectors have been specifically designed for various CFS joist, rafter, and underside of steel-deck applications. The unique clip dimensions enable easy installation on the open side of joists and rafters with up to 3 1/2" flanges and return lips up to 3/4". For deck applications, the pre-punched 3/8" holes easily accommodate 6", 8", 10" and 12" on-center deck flutes.

Features:

- Pre-punched holes reduce installation cost by eliminating predrilling
- Intuitive fastener hole positions ensure accurate clip installation in accordance with design, support a wide range of design and application requirements, and provide installation flexibility.
- Angle lengths accommodate either hard-side or soft-side attachment for joists with return lips up to 3/4"
- 4 1/2" leg length enables soft-side connections for joists with flanges up to 3 1/2"
- Also accommodates kicker-to-deck applications

Material: SJC – 68 mil (50 ksi); MSJC – 97 mil (50 ksi)

Finish: Galvanized (G90)

Packaging/Ordering Information:

Model Number	Ordering SKU	Package Quantity
SJC10.25	SJC10.25-R15	Bucket of 15
MSJC10.25	MSJC10.25-R15	
SJC8.25	SJC8.25-R15	Bucket of 15
MSJC8.25	MSJC8.25-R15	

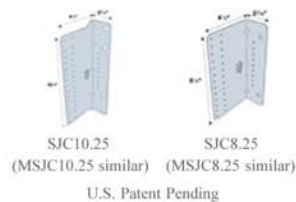


- Product images
- Installation images
- Allowable Loads:
 - Steel-to-Steel
 - Kickers
- Code Reports
- Drawings
- Related Categories
- Fliers
- Help for downloads

Product Images:

▲ top

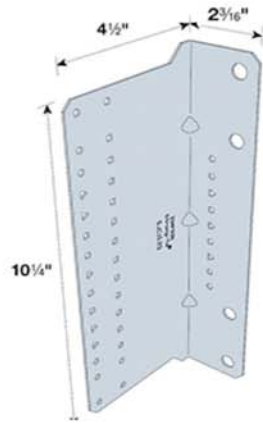
roll over images below to see larger image



07-14



FOR MORE INFORMATION CALL 1-888-926-1365
 Superior Specialty Supply • 9 Council Drive • PO Box 417 • Woodsboro, MD 21798 • www.sssupply.com

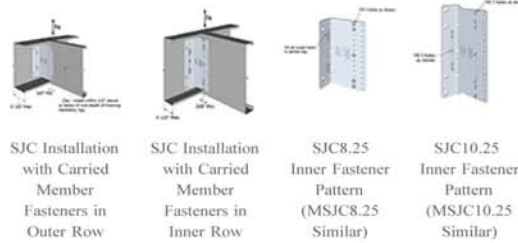
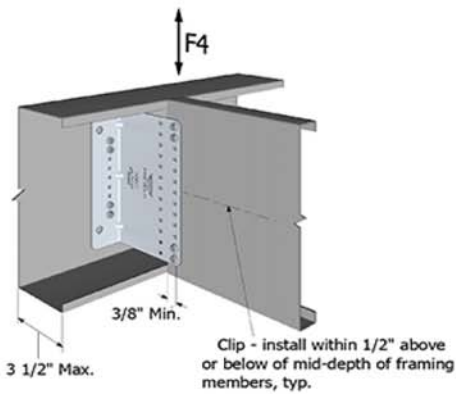


Installation Images:

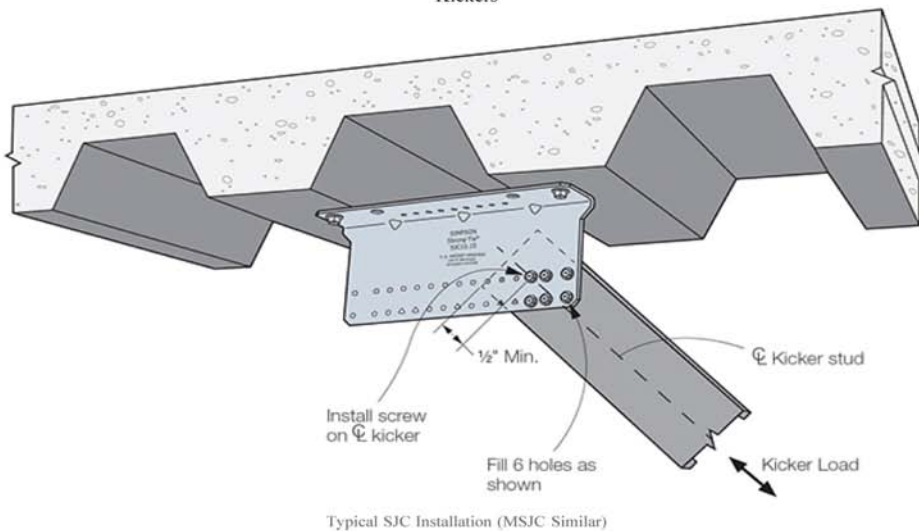
▲ top

Steel-to-Steel

roll over images below to see larger image



Kickers



Allowable Loads:

SJC Steel Joist Connectors: Steel-to-Steel



FOR MORE INFORMATION CALL 1-888-926-1365
 Superior Specialty Supply • 9 Council Drive • PO Box 417 • Woodsboro, MD 21798 • www.sssupply.com



Model No.	Connector Material Thickness mil (ga.)	L (in.)	Framing Member Depth (in.)	Fasteners			Allowable F4 Loads (lbs.) ³		
				Pattern ²	Carried Member	Carrying Member	Minimum Member Thickness		Maximum Connector Load ⁴
							54 mil (16 ga.)	68 mil (14 ga.)	
SJC8.25	68 (14)	8¼	10	Min.	4 - #10	4 - #10	980	980	2930
				Max.	9 - #10	7 - #10	1005	1490	
				Inner	5 - #10	4 - #10	1345	2005	
MSJC8.25	97 (12)	8¼	10	Min.	4 - #10	4 - #10	1005	1710	2930
				Max.	9 - #10	7 - #10	1135	1765	
				Inner	5 - #10	4 - #10	1535	2220	
SJC10.25	68 (14)	10¼	12	Min.	6 - #10	4 - #10	1170	1625	3935
				Max.	11 - #10	7 - #10	1265	1625	
				Inner	7 - #10	5 - #10	1620	2170	
MSJC10.25	97 (12)	10¼	12	Min.	6 - #10	4 - #10	1200	2045	3935
				Max.	11 - #10	7 - #10	1265	2045	
				Inner	7 - #10	5 - #10	1730	2635	

- For additional information, see [General Notes for Utility Clips](#).
- Min. fastener quantity and load values - fill all round holes; Max. fastener quantity and load values - fill all round and triangular holes; Inner fastener quantity and load values - see [illustrations](#) for fastener placement.
- Allowable loads are based on bracing of the members located within 12" of the connection.
- Maximum allowable load for connector that may not be exceeded when designing custom installations. Designer is responsible for member and fastener design.

SJC Steel Joist Connectors: Kickers



Model No.	Connector Material Thickness mil (ga.)	L (in.)	Kicker Angle ³	Maximum Load (lbs.)	Anchor Tension at Maximum Load (lbs.)
SJC8.25	68 (14)	8¼	30°	490	345
			45°	535	570
SJC10.25	68 (14)	10¼	30°	625	475
			45°	530	440
MSJC10.25	97 (12)	10¼	30°	950	675
			45°	780	680

- For additional information, see [General Notes for Utility Clips](#).
- Loads apply to connectors installed perpendicular or parallel to metal-deck flutes, with minimum 33 mil (20 ga.) kicker.
- Kicker angle is the acute angle measured relative to the horizontal plane of the metal deck.

Code Reports (PDFs):

▼ next ▲ top

	LEGACY REPORTS						
	IAPMO UES ER	ICC-ES ESR	CITY OF LOS ANGELES	STATE OF FLORIDA	ICC-ES NER	ICC-ES ER	ICC-ES ES
MSJC							See specific model numbers for code listings.
MSJC10.25							No code listing. Please contact us for test data.
MSJC8.25							No code listing. Please contact us for test data.
SJC							See specific model numbers for code listings.
SJC10.25							No code listing. Please contact us for test data.
SJC8.25							No code listing. Please contact us for test data.

07-14



FOR MORE INFORMATION CALL 1-888-926-1365
 Superior Specialty Supply • 9 Council Drive • PO Box 417 • Woodsboro, MD 21798 • www.sssupply.com