

**Strike First Corporation of America**

## EL-ELITE ARCHITECTURAL Series Fire Extinguisher Cabinets (Fire Rated)

### Detail & Submittal Sheet

Project: \_\_\_\_\_

Specification Reference: \_\_\_\_\_

Model Number: \_\_\_\_\_ Quantity: \_\_\_\_\_

Architect: \_\_\_\_\_

Contractor: \_\_\_\_\_


Distributor: \_\_\_\_\_

Approved By: \_\_\_\_\_

Date: \_\_\_\_\_

#### Construction Specifications:

ELITE (EL) Safeguard fire rated cabinet fronts are 16 gauge cold rolled steel with 22 gauge cold rolled steel tubs. Fronts are baked white enamel over rust inhibiting phosphate treated steel. All semi-recessed fronts have radius corners except the 5lb cabinets have a 1 1/2" square trim. Stainless steel fronts come standard with concealed SOSS hinge for aesthetically smooth appearance and white steel tubs. For full aluminum cabinets see page 15. All cabinets come standard with chrome handles and clear acrylic glazing. Options additional.

 To comply with ADA Guidelines, Extinguishers and Cabinets offer handles, brackets and return trims according to instructions provided by installer. For ADA compliance follow the specification ordering process dimensions in our catalog. Proper installation in accordance with the ADA Guidelines is the sole responsibility of the installer. For more information please visit the Accessibility Guidelines for Buildings and Facilities website or call them at 1-800-872-2253.

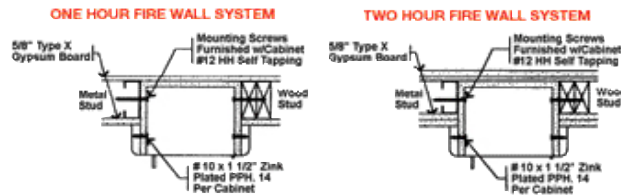
**SPECIFICATION PROCESS:** Follow the steps below to specify your cabinet. Options at additional cost.

- |  |   |   |
|--|---|---|
| <b>STEP 1: EXTINGUISHER SIZE:</b><br>5 - 5 lb. 1 - 10 lb. 2 - 20 lb.   | <b>STEP 4: SERIES:</b><br>EL - Elite  | <input type="checkbox"/> 010 - Alum. Die Cast Red "Fire" Handle<br><input type="checkbox"/> 012 - ADA Handle  |
| <b>STEP 2: CABINET STYLE:</b><br>0 - Surface Mounted (S)<br>1 - Semi-Recessed (SR)<br>2 - Fully-Recessed (FR)  | <b>STEP 5: CABINET TYPE:</b><br>SG - SAFEGUARD - Fire Rated   | <b>STEP 8: GLAZING:</b><br><input type="checkbox"/> G11 - Clear Acrylic (Standard)<br><input type="checkbox"/> G12 - Clear Tempered Glass   |
| <b>STEP 3: DOOR STYLE:</b><br>6 - Full Glass (FG)<br>7 - Full Metal (FM)<br>8 - Vertical Duo (VD)<br>9 - Center Duo (CD)<br>10 - Horizontal Duo (HD) | <b>STEP 6: FINISH OPTIONS:</b><br><input type="checkbox"/> SSF - Stainless Steel Front<br><input type="checkbox"/> FSS - Full Stainless Steel<br><input type="checkbox"/> RD - Red Coated | <b>STEP 9: LETTERING:</b><br><input type="checkbox"/> 002 - Decal "Pull Firmly" R only<br><input type="checkbox"/> 003 - Decal "Fire Ext." Sm Vert R/B<br><input type="checkbox"/> 004 - Decal "Fire Ext." Lrg Vert R/B<br><input type="checkbox"/> 005 - Decal "Fire Ext." Horiz R/B |
|  | <b>STEP 7: HANDLE OPTIONS:</b><br><input type="checkbox"/> 008 - Safety Break Lock  |   |

Concealed SOSS hinge on all SSF (stainless steel front) and FSS (full stainless steel) cabinets for smooth appearance.



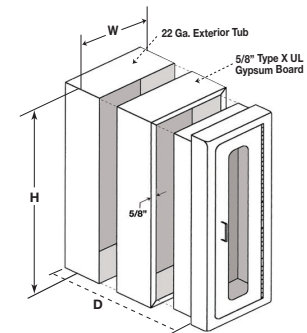
#### SAFEGUARD Typical Semi-Recessed Fire Rated Installation



UL Classified 5/8" Type X gypsum board inserted in the cavity between the two LISTED layers. Warnock Hersey has approved the Safeguard Cabinets to be mounted in any face of fire rated steel or wood stud for up to 2 hour rated walls without affecting its fire rating. The above meets the requirement test ASTM-E119-98 with test report WHI-495-1534. MOUNTING INSTRUCTIONS are supplied with each Safeguard cabinet.

✓	Mod. #	Interior Tub Size			Overall Outside Trim		SAFEGUARD Rough Opening			SAFEGUARD Trim Style	Accom. Ext Size
		W	H	D	W	H	W	H	D	Lbs.	
<b>Semi-Recessed</b>											
	516-EL-SG	8"	17"	5"	10 3/4"	19 3/4"	9 7/8"	18 7/8"	4"	1 3/4"	5
	517-EL-SG	8"	17"	5"	10 3/4"	19 3/4"	9 7/8"	18 7/8"	4"	1 3/4"	5
	518-EL-SG	8"	17"	5"	10 3/4"	19 3/4"	9 7/8"	18 7/8"	4"	1 3/4"	5
	116-EL-SG	9 1/2"	24"	6"	13 1/2"	28 1/2"	11 1/4"	25 3/4"	3 3/4"	3"	10
	117-EL-SG	9 1/2"	24"	6"	13 1/2"	28 1/2"	11 1/4"	25 3/4"	3 3/4"	3"	10
	118-EL-SG	9 1/2"	24"	6"	13 1/2"	28 1/2"	11 1/4"	25 3/4"	3 3/4"	3"	10
	216-EL-SG	12"	27"	8"	16"	31"	14	29 1/8"	4 3/4"	4"	20
	217-EL-SG	12"	27"	8"	16"	31"	14	29 1/8"	4 3/4"	4"	20
	218-EL-SG	12"	27"	8"	16"	31"	14	29 1/8"	4 3/4"	4"	20
<b>Fully-Recessed</b>											
	526-EL-SG	8"	17"	5"	12"	21"	9 7/8"	18 7/8"	5 1/2"	1/4"	5
	527-EL-SG	8"	17"	5"	12"	21"	9 7/8"	18 7/8"	5 1/2"	1/4"	5
	528-EL-SG	8"	17"	5"	12"	21"	9 7/8"	18 7/8"	5 1/2"	1/4"	5
	126-EL-SG	9 1/2"	24"	6"	14"	28 1/2"	11 1/4"	25 3/4"	6 1/2"	1/4"	10
	127-EL-SG	9 1/2"	24"	6"	14"	28 1/2"	11 1/4"	25 3/4"	6 1/2"	1/4"	10
	128-EL-SG	9 1/2"	24"	6"	14"	28 1/2"	11 1/4"	25 3/4"	6 1/2"	1/4"	10
	226-EL-SG	12"	27"	8"	16"	31"	14	29 1/8"	8 1/2"	1/4"	20
	227-EL-SG	12"	27"	8"	16"	31"	14	29 1/8"	8 1/2"	1/4"	20
	228-EL-SG	12"	27"	8"	16"	31"	14	29 1/8"	8 1/2"	1/4"	20

#### Safeguard fire rated assembly



SFCA 2013



**FOR MORE INFORMATION CALL 1-888-926-1365**  
 Superior Specialty Supply • 9 Council Drive • PO Box 417 • Woodsboro, MD 21798 • www.sssupply.com