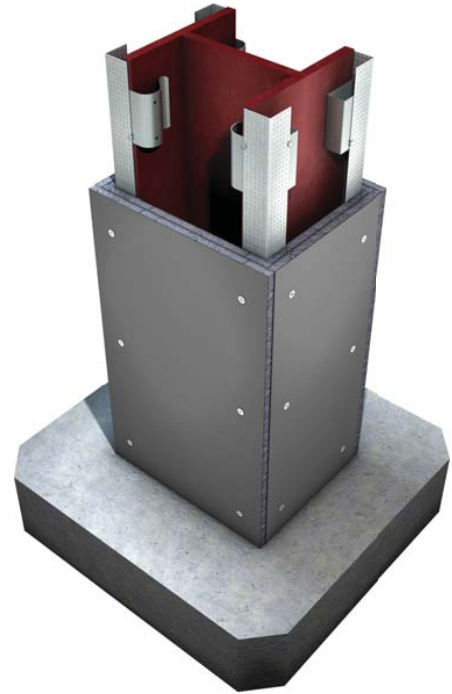
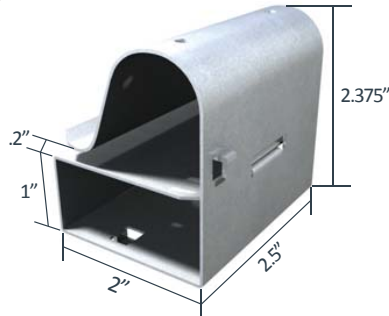


GripClip®

Column/Beam Connector

Material Composition

ASTM A1003 A1003/A1003M Structural Grade 33 (230) Type H, ST33H (ST230H): 33ksi (230MPa) minimum yield strength, 45ksi (310MPa) minimum tensile strength, 27mil minimum thickness (22 gauge, 0.0283" design thickness) with ASTM A653/A653M G60 (Z180) hot dipped galvanized coating.

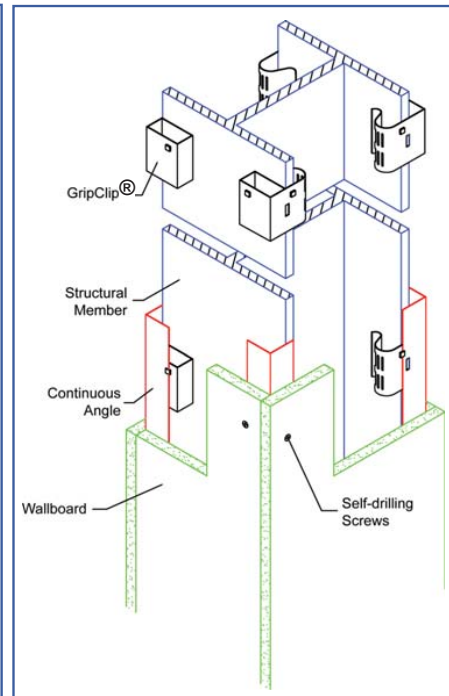
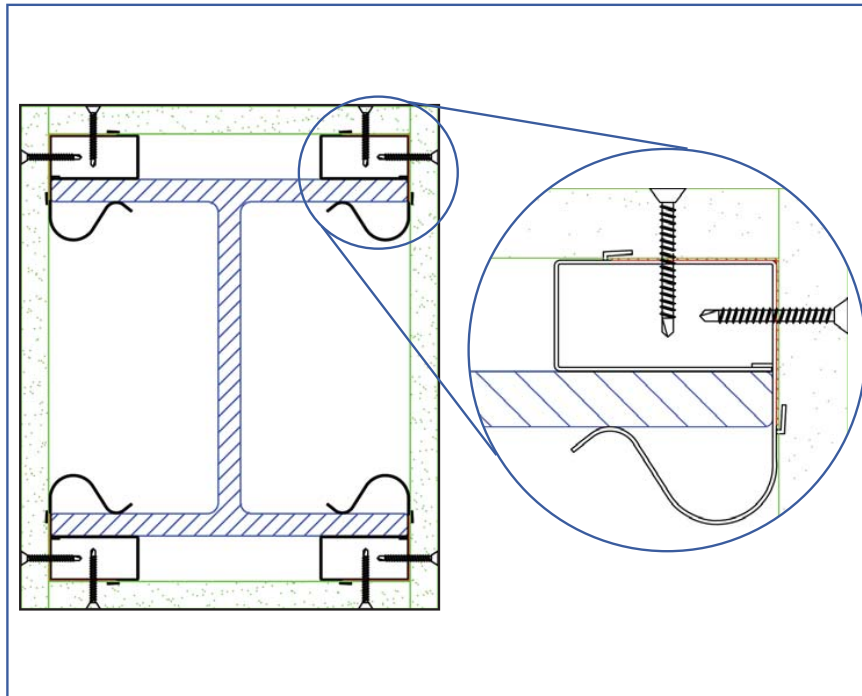


Patent # 8,132,383

Nomenclature

GripClip is made in one size and is designated *GripClip*®.

Example Details



FOR MORE INFORMATION CALL 1-888-926-1365
 Superior Specialty Supply • 9 Council Drive • PO Box 417 • Woodsboro, MD 21798 • www.sssupply.com