

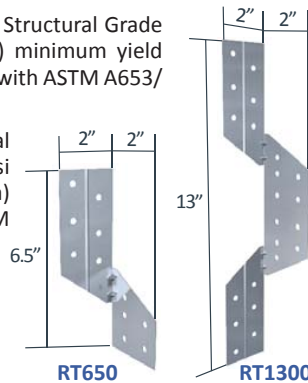
# StiffClip® RT

Roof Tie

**Material Composition**

**33 mil & 43 mil thicknesses:** ASTM A1003/A1003M Structural Grade 50 (340) Type H, ST50H (ST340H): 50ksi (340MPa) minimum yield strength, 65ksi (450MPa) minimum tensile strength, with ASTM A653/A653M G60 (Z180) hot dipped galvanized coating.

**54 mil thickness:** ASTM A1003/A1003M Structural Grade 50 (340) Type H, ST50H (ST340H): 50ksi (340MPa) minimum yield strength, 65ksi (450MPa) minimum tensile strength, with ASTM A653/A653M G90 (Z275) hot dipped galvanized coating.



StiffClip® RT650



StiffClip® RT1300

**StiffClip RT Allowable Loads**

StiffClip® RT, Recommended Allowable Load (lbs): F1							
Stud		RT650-33 & RT1300-33		RT650-43 & RT1300-43		RT650-54 & RT1300-54	
Thickness Mils (ga)	Yield Strength (ksi)	w/2 #12 Screws	w/4 #12 Screws	w/2 #12 Screws	w/4 #12 Screws	w/2 #12 Screws	w/4 #12 Screws
33 (20)	33	94	95	94	95	94	95
33 (20)	50	136	138	136	138	136	138
43 (18)	33	124	124	124	124	124	124
43 (18)	50	175	175	179	179	179	179
54 (16)	33	156	156	156	156	156	156
54 (16)	50	175	175	225	225	225	225
68 (14)	50	175	175	231	231	284	284
97 (12)	50	175	175	231	231	342	342
<b>Maximum Allowable Clip Load</b>		<b>175</b>		<b>231</b>		<b>342</b>	

StiffClip® RT, Recommended Allowable Load (lbs): F2										
Stud		RT650-33	RT650-33 & RT1300-33		RT650-43	RT650-43 & RT1300-43		RT650-54	RT650-54 & RT1300-54	
Thickness Mils (ga)	Yield Strength (ksi)	w/5 #12 Screws in Short Leg	w/2 #12 Screws	w/4 #12 Screws	w/5 #12 Screws in Short Leg	w/2 #12 Screws	w/4 #12 Screws	w/5 #12 Screws in Short Leg	w/2 #12 Screws	w/4 #12 Screws
33 (20)	33	191	95	128	191	95	159	191	95	191
33 (20)	50	239	128	128	275	138	159	275	138	275
43 (18)	33	239	124	128	248	124	159	248	124	248
43 (18)	50	239	128	128	329	159	159	359	179	323
54 (16)	33	239	128	128	312	156	159	312	156	312
54 (16)	50	239	128	128	329	159	159	450	225	323
68 (14)	50	239	128	128	329	159	159	567	284	323
97 (12)	50	239	128	128	329	159	159	614	323	323
<b>Max Allowable Clip Load</b>		<b>239</b>	<b>128</b>		<b>329</b>	<b>159</b>		<b>614</b>	<b>323</b>	

*\*\*StiffClip RT Allowable Load tables and important notes continued on next page.*



022015

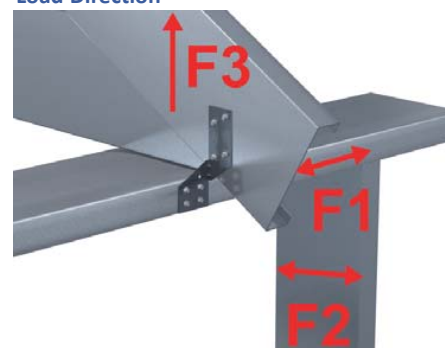
**FOR MORE INFORMATION CALL 1-888-926-1365**  
 Superior Specialty Supply • 9 Council Drive • PO Box 417 • Woodsboro, MD 21798 • [www.sssupply.com](http://www.sssupply.com)

StiffClip® RT, Recommended Allowable Load (lbs): F3							
Stud		RT650-33 & RT1300-33		RT650-43 & RT1300-43		RT650-54 & RT1300-54	
Thickness Mils (ga)	Yield Strength (ksi)	w/2 #12 Screws	w/4 #12 Screws	w/2 #12 Screws	w/4 #12 Screws	w/2 #12 Screws	w/4 #12 Screws
33 (20)	33	198	384	198	384	198	384
33 (20)	50	286	453	286	537	286	555
43 (18)	33	294	453	294	537	294	572
43 (18)	50	425	453	425	537	425	826
54 (16)	33	414	453	414	537	414	804
54 (16)	50	453	453	537	537	598	1,024
68 (14)	50	453	453	537	537	751	1,024
97 (12)	50	453	453	537	537	751	1,024
<b>Maximum Allowable Clip Load</b>		<b>453</b>		<b>537</b>		<b>1,024</b>	

### Notes:

- StiffClip RT resists horizontal, lateral, and uplift loads.
- Allowable loads have not been increased for wind, seismic, or other factors.
- Number of screws designated represents the amount required in each leg of the clip.
- Loads listed reflect force in a single direction. When multiple loads act on the connection, it is the responsibility of the designer to check the interaction of forces.
- Torsional effects are considered on screw groups for F1, F2 & F3 allowable loads. It is assumed that half of the torsional moment is taken by the connection to the structure and half is taken by the connection to the stud.

### Load Direction



### Nomenclature

StiffClip RT650 is 6½" long, and may be used when wall studs do not align with roof framing member. The RT1300 is 13" long, and is used when wall studs align with roof framing member. Clips are designated by length, followed by thickness and number of screws used in each leg (determined by load requirements - refer to load tables).

**Example:** Stud aligns with roof framing member (see application image)

**Designate:** StiffClip® 1300

\* StiffClip RT650 are packaged in pairs.



**FOR MORE INFORMATION CALL 1-888-926-1365**  
 Superior Specialty Supply • 9 Council Drive • PO Box 417 • Woodsboro, MD 21798 • [www.sssupply.com](http://www.sssupply.com)