



FA-300-R PRODUCT INFORMATION

FA-300 Retrofit

FLOOR DOOR / 300 lb./sq. ft loading

Application

- Designed for interior and exterior applications where watertightness is not required.
- For use when the door will not be cast into concrete, but bolted down.

Product Features FA-300-R

- Angle frame construction designed to be bolted into an existing opening
- Diamond plate door panel is equipped with a flush aluminum drop handle and an automatic hold open arm

FA-300 Retrofit Floor Door Specifications:

Material: Aluminum door and frame; stainless steel hinges and hardware

Door: 1/4" aluminum diamond plate reinforced for live load of 300 pounds/sq ft.

Frame: Angle frame fabricated from aluminum extrusion

Hinge: Stainless steel butt hinges with tamperproof stainless steel bolts and nuts

Opening Device: Automatic hold open arm with red vinyl grip allows door panel to open to 90 degrees, locking door in open position, and allowing for easy control when closing door panel.

When required, stainless steel compression springs can be provided to add lift assistance.

Available with electrical actuators, operated by wall mounted push button switch, and remote control

Standard Latch: Flush aluminum drop handle with staple for padlock. Also available recessed padlock provision: st/stl slamlock

Finish: Mill finish, with optional bituminous coating on exterior of frame



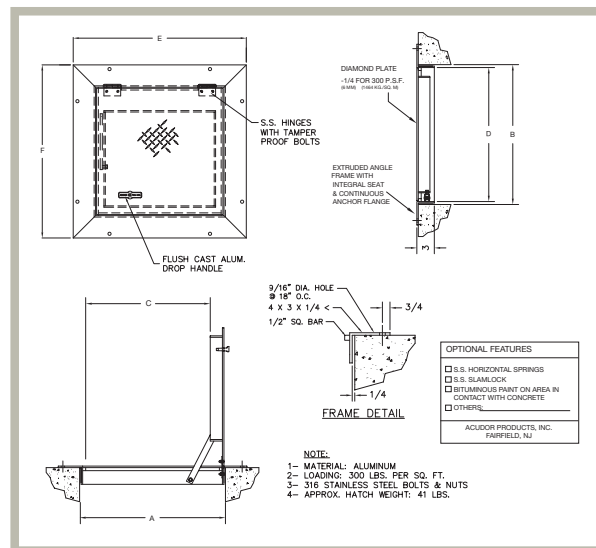
FA-300-RETROFIT STANDARD SIZES

(Other sizes available upon request)

Nominal Door Size W&H		Weight per Door	
Inches	(mm)	lbs.	(kg.)
24 x 24	610 x 610	49	22
24 x 30	610 x 762	53	24
24 x 36	610 x 914	57	26
30 x 30	762 x 762	63	29
30 x 48	762 x 1219	75	34
36 x 36	914 x 914	80	36
36 x 48	914 x 1219	92	42
42 x 42	1067 x 1067	94	43
*48 x 48	1219 x 1219	123	56
*48 x 72	1219 x 1829	170	77
*60 x 60	1524 x 1524	177	88

*Double Leaf

For detailed specifications see submittal sheet



This document contains proprietary information which is the property of Acudor Products. It shall not be modified, copied, furnished, nor distributed (in whole or in part) without proper authorization. Copyright © 2020 Acudor Products.



FOR MORE INFORMATION CALL 1-888-926-1365
 Superior Specialty Supply • 9 Council Drive • PO Box 417 • Woodsboro, MD 21798 • www.sssupply.com