



FA-300 PRODUCT INFORMATION

FA-300

FLOOR DOOR 300 lb./sqft loading

Application

- Designed for interior and exterior applications where watertightness is not required

Product Features FA-300

- Angle frame construction with integral anchor flange is designed to be cast into concrete
- Retrofit frame design is available when unit is bolted into existing opening
- Diamond plate door panel is equipped with a flush aluminum drop handle and an automatic hold open arm

FA-300 Floor Door Specifications:

Material: Aluminum door and frame; stainless steel hinges and hardware

Door: 1/4" aluminum diamond plate reinforced for live load of 300 lb/sq. ft.

Frame: Angle frame fabricated from aluminum extrusion with an integral 1" anchor flange

Hinge: Stainless steel butt hinges with tamperproof stainless steel bolts & nuts

Opening Device: Automatic hold open arm with red vinyl grip allows door panel to open to 90°, locking door in open position, and allowing for easy control when closing door panel.

When required, stainless steel compression springs can be provided to add lift assistance. Available with electrical actuators, operated by wall mounted push button switch, and remote control

Standard Latch: Flush aluminum drop handle with staple for padlock.

Optional: Recessed padlock provision: st/stl slamlock

Finish: Mill finish, with optional bituminous coating on exterior of frame

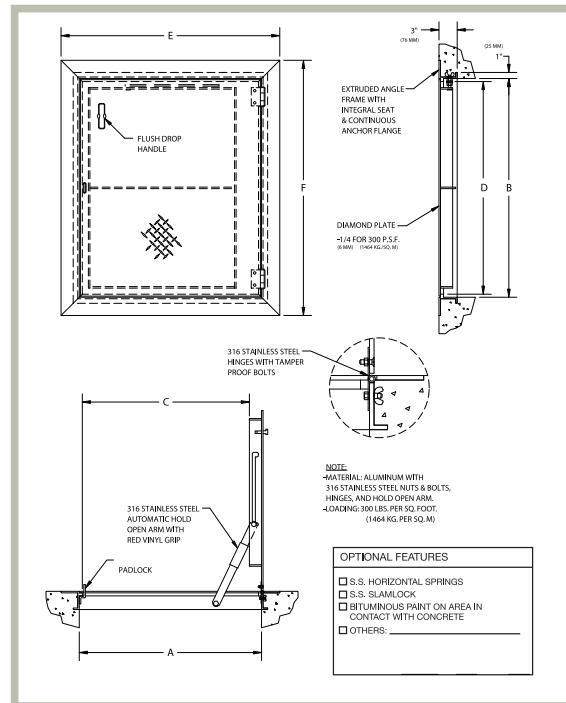
FA-300 STANDARD SIZES

(other sizes available upon request)

Nominal Door Size W&H		Weight per Door	
inches	mm	lbs.	kg.
24 x 24	610 x 610	42	19
24 x 30	610 x 762	49	22
24 x 36	610 x 914	55	25
30 x 30	762 x 762	57	26
30 x 48	762 x 1219	80	36
36 x 36	914 x 914	73	33
36 x 48	914 x 1219	92	42
42 x 42	1067 x 1067	94	43
48 x 48*	1219 x 1219	123	56
48 x 72*	1219 x 1829	170	77
60 x 60*	1524 x 1524	177	80

* Double Leaf

For detailed specifications see submittal sheet



This document contains proprietary information which is the property of Acudor Products. It shall not be modified, copied, furnished, nor distributed (in whole or in part) without proper authorization. Copyright © 2020 Acudor Products.



FOR MORE INFORMATION CALL 1-888-926-1365
 Superior Specialty Supply • 9 Council Drive • PO Box 417 • Woodsboro, MD 21798 • www.sssupply.com