

SUBMITTAL: 1400 LIFESTART™ SERIES AED CABINET

Description: 1400 Series is designed to accommodate all Automated External Defibrillators (AED's) on the market today, with all except surface-mounted models, ADAC-Compliant. Select from steel, stainless steel or aluminum construction.

Trim Construction: #4 brushed stainless steel, clear anodized aluminum or CRS with white powder-coat finish. 1-3/4" trim on face and 1-1/4" trim on door.

Door: Formed door with 1-1/4" or 1-1/2" trim, mounted in a 5/8" door stop with zinc-plated handle and roller catch and continuous hinge. F and G styles include graphics on acrylic glazing as shown at right, other door styles include AED decal. Theft-deterrent SAF-T-LOK™ available for all door styles.

Alarm: 85 db Commander (audible) alarm standard.

Trim Style & Depth: Recessed – 3/8" flat trim, Semi-Recessed – 1-1/2" square edge or 3" rolled edge. Surface-mount has a square edge.

Tube: White powder-coated CRS except for aluminum and stainless surface-mounted models. Fire-rated available - [See Separate Submittal](#)



1413F12SA Surface-Mounted Steel Cabinet With Optional Siren Strobe Alarm & AED Graphic



1436F12 Semi-Recessed Cabinet in Stainless Steel with 1-1/2" Square Trim & AED Graphic

STEP 1: SELECT MODEL NUMBER AND QUANTITY ON CHART (refer to chart on page 2)

A. Determine Trim Style according to wall depth. **B.** Determine Tub I.D. according to size most suited for extinguisher and wall opening.

STEP 2: SELECT DOOR STYLE Check one box below


- | | |
|--|---|
| <input type="checkbox"/> F12 Full Acrylic Glazing; Pull & AED Graphic | <input type="checkbox"/> E17 Horizontal Dual Panel; Tempered, SAF-T-LOK™, Pull & AED Decal |
| <input type="checkbox"/> F17 Full Tempered Glazing; Pull & AED Decal | <input type="checkbox"/> S21 Solid Door; Pull & AED Decal |
| <input type="checkbox"/> G12 Full Glazing; Acrylic, SAF-T-LOK™, Pull & AED Graphics | <input type="checkbox"/> L22 Solid; SAF-T-LOK™, Pull & AED Decal |
| <input type="checkbox"/> G17 Full Glazing; Tempered, SAF-T-LOK™, Pull & AED Decal | <input type="checkbox"/> V12 Vertical Duo; Acrylic Glazing, Pull & AED Decal |
| <input type="checkbox"/> D12 Horizontal Duo Panel; Acrylic, Pull & AED Decal | <input type="checkbox"/> V17 Vertical Duo; Tempered Glass, Pull & AED Decal |
| <input type="checkbox"/> D17 Horizontal Duo Panel; Tempered, Pull & AED Decal | <input type="checkbox"/> W12 Vertical Duo; Acrylic, SAF-T-LOK™, Pull & AED Decal |
| <input type="checkbox"/> E12 Horizontal Dual Panel; Acrylic, SAF-T-LOK™, Pull & AED Decal | <input type="checkbox"/> W17 Vertical Duo; Tempered, SAF-T-LOK™, Pull & AED Decal |

Optional Features at Additional Cost:

- | | |
|---|--|
| <input type="checkbox"/> (SA) Siren Strobe Alarm 85 db Alarm (3" Trim & Surface-Mount Models Only) | <input type="checkbox"/> Polished Chrome Handle (PUCH) |
| <input type="checkbox"/> (STC) Saf-T-Clasp for Visual Notification When Door has been opened | <input type="checkbox"/> AED Wall Signs ___ 14S ___ 14TX ___ 14XS (view on website) |
| <input type="checkbox"/> (14MAG) Magnetic Door Contact for Existing Alarm Systems | <input type="checkbox"/> Etched, Silkscreen or Engraved Lettering - See separate submittal |
| <input type="checkbox"/> (14RR) Roller Reed Ball Contact for Existing Alarm Systems | Optional Colors - Contact Customer Service View Colors Online |
| <input type="checkbox"/> Optional Dark Bronze Anodized Aluminum Finish (Pulls painted to match) | Bronze or Brass Finish See separate submittal. |
| <input type="checkbox"/> Optional Stainless Steel Finishes ___ #6 ___ #7 View Finishes Online | Custom Door Graphics - company logos, photos, etc. Contact C.S. |
| <input type="checkbox"/> Optional Tub Color: ___ Black ___ Red | |
| <input type="checkbox"/> Optional Tub Material ___ Stainless ___ Aluminum | |
| <input type="checkbox"/> Flush Pull Handle (PRH) | |



AED Decal 4-1/2" x 1"

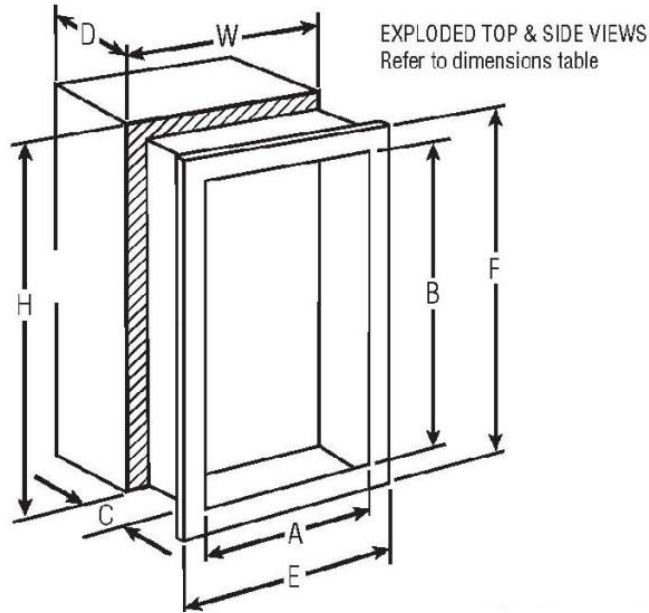
 <p>LIFESTART IS A TRADEMARK OF ACTIVAR PLEASE DOWNLOAD MOST CURRENT SUBMITTAL FROM WEBSITE BEFORE ORDERING</p>	Distributor:	Quantity:
	Contractor:	Approved By:
	Model #:	Architect:
	Project:	Date:
	9/5/19	



FOR MORE INFORMATION CALL 1-888-926-1365

Superior Specialty Supply • 9 Council Drive • PO Box 417 • Woodsboro, MD 21798 • www.sssupply.com

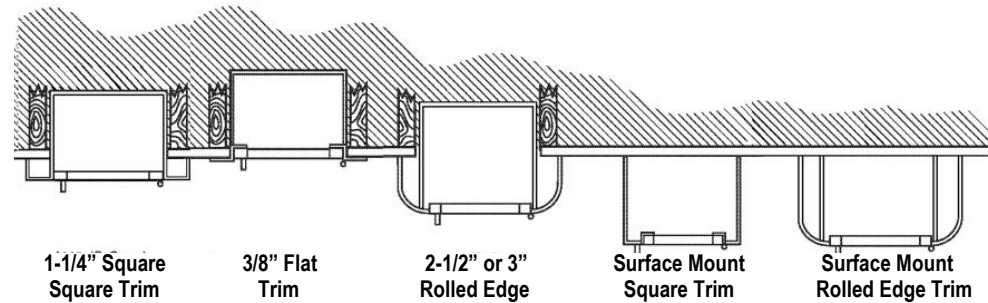
SUBMITTAL: 1400 LIFESTART™ SERIES AED CABINET



1417 3" Rolled Edge Recessed



1419SA with Custom Graphics & Optional Color



TRIM & DOOR MATERIAL & SERIES #							TUB I.D.			FRAME O.D.		WALL OPENING		
QTY	STEEL	QTY	ALUMINUM	QTY	STAINLESS STEEL	TRIM STYLE	A	B	C	E	F	W	H	D
	1415		1425		1435	3/8" Flat Trim	14"	14"	6-3/4"	17-3/8"	17-3/8"	15"	15"	6-3/4"
	1416		1426		1436	1-1/2" Square	14"	14"	6-3/4"	17-3/8"	17-3/8"	15"	15"	5-7/8"
	1417		*1427		1437	3" or 2-1/2" Rolled	14"	14"	6-3/4"	17-3/8"	17-3/8"	15"	15"	*3-3/4"
	1413 Sq Edge		1423 Sq. Edge		—	Surface Mounted	17-3/16"	17-3/16"	7"	17-3/8"	17-3/8"	—	—	—
	1419 Rolled Edge		—		1439 Rolled Edge	Surface Mounted	17-3/16"	17-3/16"	7"	17-3/8"	17-3/8"	—	—	—

* Model 1427 has 2-1/2" Trim & Requires 1-3/4" Deeper Wall Opening



FOR MORE INFORMATION CALL 1-888-926-1365

Superior Specialty Supply • 9 Council Drive • PO Box 417 • Woodsboro, MD 21798 • www.sssupply.com