

SUBMITTAL: 1400 FIRE-FX2™ LIFESTART™ - FIRE-RATED AED CABINET

PAGE 1 OF 2

Description: 1400 Fire-Rated Cabinet Series is designed to accommodate all Automated External Defibrillators (AED's) on the market today, with all of our models except surface-mounted, ADAC-Compliant. Select from steel, stainless steel or aluminum construction.

Trim Construction: #4 brushed stainless steel, clear anodized aluminum or CRS with white powder-coat finish. 1-3/4" trim on face.

Door: Formed door with 1-1/4" or 1-1/2" trim, mounted in a 5/8" door stop with zinc-plated handle and roller catch and continuous hinge. F and G styles include graphics on acrylic glazing as shown at right, other door styles include AED decal. Theft-deterrent SAF-T-LOK™ available for all door styles.

Alarm: 85 db Commander (audible) alarm standard.

Trim Style & Depth: *Recessed* – 3/8" flat trim, *Semi-Recessed* – 1-1/2" square edge or 3" rolled edge.

Tub: The tub is constructed of cold rolled steel with white powder-coat finish standard. Fire-resistant material is attached to the exterior of the tub.

Please note that dimensions for wall opening have changed. See Chart on page 2.

Fire-Rating: Fire-FX2™ cabinets are fabricated in accordance with the UL label for one and two hour combustibile and non-combustibile wall system building codes. The fire testing has met the requirement of ANSI/UL 1479 (ASTM –E814) and ULC/CAN S115-for membrane and penetration firestops. Installation instructions must be strictly adhered to in order to obtain the fire rating.



1417F12FX2 Semi-Recessed Cabinet with 3" Rolled Trim & AED Graphic



1435F12FX2 Fully-Recessed Cabinet with Flat Trim & AED Graphic

STEP 1: SELECT MODEL NUMBER AND QUANTITY ON CHART (refer to chart on page 2)

- A. Determine Trim Style according to wall depth. B. Determine Tub I.D. according to size most suited for extinguisher and wall opening.

STEP 2: SELECT DOOR STYLE Check one box below

- | | |
|--|---|
| <input type="checkbox"/> F12 Full Acrylic Glazing; Pull & AED Graphics | <input type="checkbox"/> E17 Horizontal Dual Panel; Tempered, SAF-T-LOK™, Pull & AED Decal |
| <input type="checkbox"/> F17 Full Tempered Glazing; Pull & AED Decal | <input type="checkbox"/> S21 Solid Door; Pull & AED Decal |
| <input type="checkbox"/> G12 Full Glazing; Acrylic, SAF-T-LOK™, Pull & AED Graphics | <input type="checkbox"/> L22 Solid; SAF-T-LOK™, Pull & AED Decal |
| <input type="checkbox"/> G17 Full Glazing; Tempered, SAF-T-LOK™, Pull & AED Decal | <input type="checkbox"/> V12 Vertical Duo; Acrylic Glazing, Pull & AED Decal |
| <input type="checkbox"/> D12 Horizontal Duo Panel; Acrylic, Pull & AED Decal | <input type="checkbox"/> V17 Vertical Duo; Tempered Glass, Pull & AED Decal |
| <input type="checkbox"/> D17 Horizontal Duo Panel; Tempered, Pull & AED Decal | <input type="checkbox"/> W12 Vertical Duo; Acrylic, SAF-T-LOK™, Pull & AED Decal |
| <input type="checkbox"/> E12 Horizontal Dual Panel; Acrylic, SAF-T-LOK™, Pull & AED Decal | <input type="checkbox"/> W17 Vertical Duo; Tempered, SAF-T-LOK™, Pull & AED Decal |

Optional Features at Additional Cost:

- | | |
|---|--|
| <input type="checkbox"/> (SA) Siren Strobe Alarm 85 db Alarm (3" Trim Models Only) | <input type="checkbox"/> Polished Chrome Handle (PUCH) |
| <input type="checkbox"/> (STC) Saf-T-Clasp for Visual Notification When Door has been opened | <input type="checkbox"/> AED Wall Signs ___ 14S ___ 14TX ___ 14XS (view on website) |
| <input type="checkbox"/> (14MAG) Magnetic Door Contact for Existing Alarm Systems | <input type="checkbox"/> Etched, Silkscreen or Engraved Lettering - See separate submittal |
| <input type="checkbox"/> (14RR) Roller Reed Ball Contact for Existing Alarm Systems | Optional Colors - Contact Customer Service View Colors Online |
| <input type="checkbox"/> Optional Dark Bronze Anodized Aluminum Finish (Pulls painted to match) | Bronze or Brass Finish See separate submittal. |
| <input type="checkbox"/> Optional Stainless Steel Finishes ___ #6 ___ #7 View Finishes Online | Custom Door Graphics - company logos, photos, etc. Contact C.S. |
| <input type="checkbox"/> Optional Tub Color: ___ Black ___ Red | |
| <input type="checkbox"/> Optional Tub Material ___ Stainless ___ Aluminum | |
| <input type="checkbox"/> Flush Pull Handle (PRH) | |



AED Decal 4-1/2" x 1"

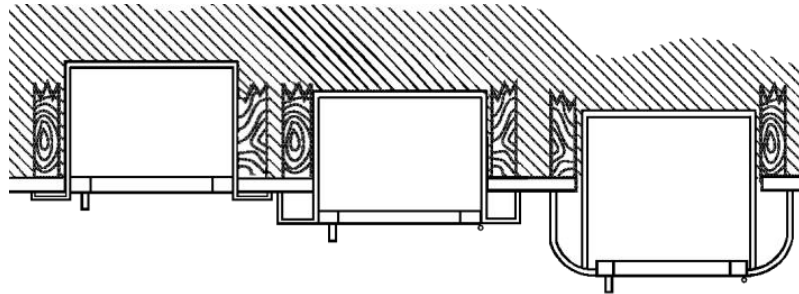
<p>LIFESTART IS A TRADEMARK OF ACTIVAR PLEASE DOWNLOAD MOST CURRENT SUBMITTAL FROM WEBSITE BEFORE ORDERING</p>	Distributor:	Quantity:
	Contractor:	Approved By:
	Model #:	Architect:
	Project:	Date: © 2019 Activar Construction Products Group, Inc.
9/9/2019		



FOR MORE INFORMATION CALL 1-888-926-1365

Superior Specialty Supply • 9 Council Drive • PO Box 417 • Woodsboro, MD 21798 • www.sssupply.com

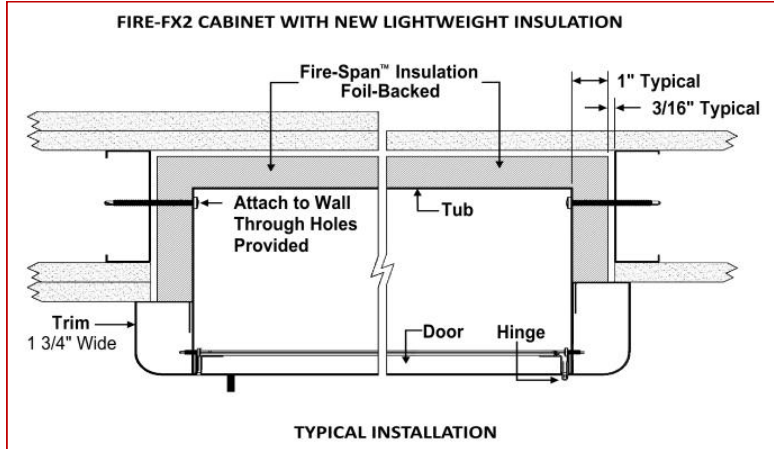
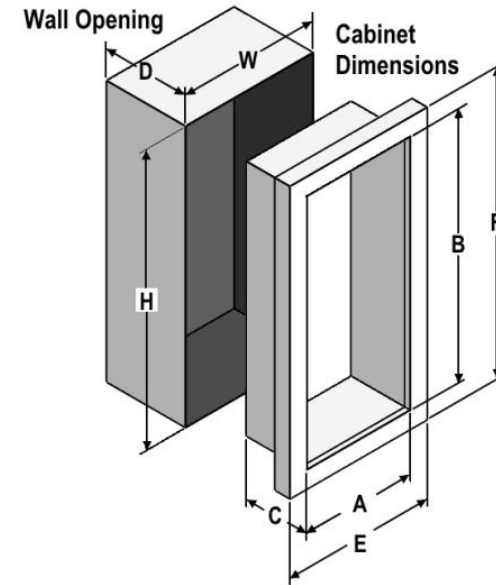
SUBMITTAL: 1400 FIRE-FX2™ LIFESTART™ - FIRE-RATED AED CABINET



3/8" Flat Trim 1-1/2" Square Trim 3" or 2-1/2" Rolled Edge



New Lighter, FX2 Insulation



Double Wall Construction with Fire-Resistant Liner Shown at Left

TRIM & DOOR MATERIAL & SERIES #							TUB I.D.			FRAME O.D.		FX Wall Opening New Dimensions - Please Note		
QTY	STEEL	QTY	ALUM.INUM	QTY	STAINLESS STEEL	TRIM STYLE	A	B	C	E	F	W	H	D
	1415FX2		1425FX2		1435FX2	3/8" Flat Trim	14"	14"	6-3/4"	17-3/8"	17-3/8"	16-5/16"	16-5/16"	7-11/16"
	1416FFX2		1426FX2		1436FX2	1-1/2" Square	14"	14"	6-3/4"	17-3/8"	17-3/8"	16-5/16"	16-5/16"	6 7/16"
	1417FX2		*1427FX2		1437FX2	3" or 2 1/2" Rolled	14"	14"	6-3/4"	17-3/8"	17-3/8"	16-5/16"	16-5/16"	*4 15/16"

* Model 1427 has 2-1/2" Trim & Requires 1-3/4" Deeper Wall Opening



FOR MORE INFORMATION CALL 1-888-926-1365

Superior Specialty Supply • 9 Council Drive • PO Box 417 • Woodsboro, MD 21798 • www.sssupply.com