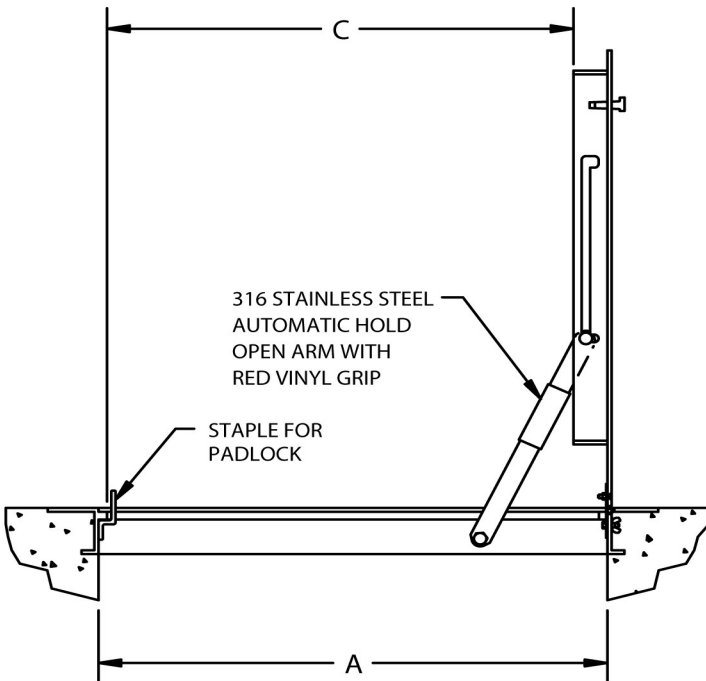
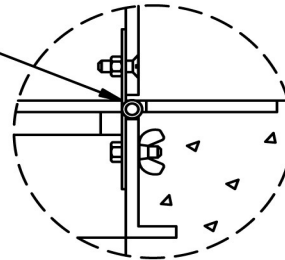


316 STAINLESS STEEL HINGES WITH TAMPER PROOF BOLTS



NOTE:

-MATERIAL: ALUMINUM WITH 316 STAINLESS STEEL NUTS & BOLTS, HINGES, AND HOLD OPEN ARM.
 -LOADING: 300 LBS. PER SQ. FOOT. (1464 KG. PER SQ. M)

OPTIONAL FEATURES

- S.S. HORIZONTAL SPRINGS
- S.S. SLAMLOCK
- BITUMINOUS PAINT ON AREA IN CONTACT WITH CONCRETE
- OTHERS: _____

U.S.F. FABRICATION, INC.
 HIALEAH, FLORIDA

APS 300 X
 (LOADING) (A) (B)



FOR MORE INFORMATION CALL 1-888-926-1365
 Superior Specialty Supply • 9 Council Drive • PO Box 417 • Woodsboro, MD 21798 • www.sssupply.com