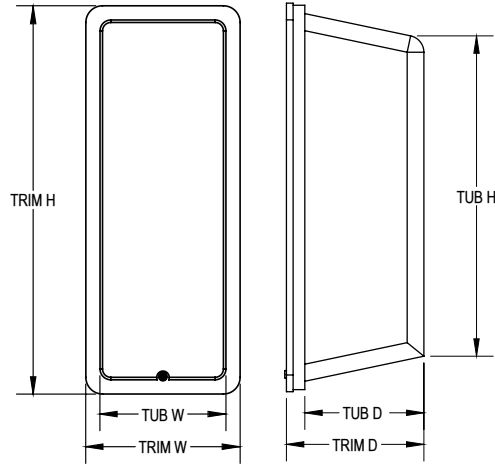


## FIRE EXTINGUISHER CABINET - CHIEF

Cato's affordable fire extinguisher series, manufactured in the U.S, provides a dent and rust proof alternative to metal. Cato's Chief series fire extinguisher cabinets feature a security hexagonal lock and key to open and remove the trim and cover panel, which features scored lines to easily break when struck with tool in case of fire.



Chief 105-5 WWC-H



### SPECIFICATIONS:

**Tub and Frame Material:** Injection molded high impact crystal polystyrene in .110 thickness with ultra-violet inhibitors for UV resistance

**Tub and Trim Colors:** Available in red or white

**Cover Material:** .080 Acrylic front panel, grid scored for improved emergency access with break tool

**Acrylic Colors:** Available in clear or red (for best outdoor UV resistance)

**Break Tool:** Polypropylene injection molded stainless steel tipped hammer with ribbed grip handle and a clear nylon coated stainless steel cable that matches trim color

**Break Tool Option:** Stainless steel break bar

**Decals:** UV resistant "FIRE" and "Break Panel" decals included

**Hardware:** Polystyrene hexagonal lock and key installed

**Sizes:** Refer to table, listing model sizes with their compatible extinguishers from 2.5 - 20lbs

**Options:** Customizer cover panel, extinguisher tray

QTY	MODEL	TUB, TRIM & COVER COLOR	BREAK TOOL	TUB INNER DIMENSION H x W x D	TRIM OUTER DIMENSION H x W x D	WALL OPENING	WEIGHT (LBS.)	COMPATIBLE FIRE EXTINGUISHERS
	105-5	WWC- White tub, white trim, with clear cover	H - Hammer (color matches trim)	16-3/4" x 6" x 5-3/8"	19-1/4" x 8-1/4" x 6-3/4"	Surface Mount	3.5	Cosmic 2.5-5 Galaxy 2.5-5
		RRC - Red tub, red trim, with clear cover	B - Stainless Steel Break Bar					
	105-10	WWC - White tub, white trim, with clear cover	H - Hammer (color matches trim)	20-1/2" x 6-3/4" x 6"	23-1/4" x 9-1/4" x 7-1/4"	Surface Mount	4.5	Cosmic 2.5-10 Galaxy 2.5-10 Mercury 2.5-11
		RRC - Red tub, red trim, with clear cover	B - Stainless Steel Break Bar					
	105-20	WWC - White tub, white trim, with clear cover	H - Hammer (color matches trim)	26" x 9" x 8"	28-1/2" x 11-1/2" x 9 1/2"	Surface Mount	6	Cosmic 2.5-20 Galaxy 2.5-20 Mercury 2.5-15.5 Sentinel 5, Saturn 15
		RRC - Red tub, red trim, with clear cover	B - Stainless Steel Break Bar					



9702 Newton Avenue S, Bloomington, MN 55431

© 2023 Activar Construction Products Group, Inc.

Distributor:  
Contractor:  
Date:  
Scale: N/A

Project:  
Approved By:  
Architect:  
Item #:

Pages: 1 of 2

THE INFORMATION CONTAINED IN THIS DRAWING IS THE SOLE PROPERTY OF ACTIVAR CONSTRUCTION PRODUCTS GROUP, INC. ANY REPRODUCTION IN PART OR AS A WHOLE WITHOUT WRITTEN PERMISSION IS PROHIBITED.

OCT 12, 2023

## FIRE EXTINGUISHER CABINET - CHIEF

### Decals Included

BREAK TOOL	
10011R Red Hammer Assembly	
10011W White Hammer Assembly	
10008 Stainless Steel Break Bar	



CL-415 Decal



CL-401 Decal available with red or white background



WWC - White Tub & Trim with Clear Cover



RRC - Red Tub & Trim with Clear Cover



10006R  
Red Hex Key

DECALS	
ITEM	DESCRIPTION
CL-401R	Fire Extinguisher "Fire" with red background
CL-401W	Fire Extinguisher "Fire" with white background
CL-403	Arrow 4"X18"
CL-412	Fire Extinguisher 1"X15" "Fire Extinguisher"
CL-413	Arrow 4"X12" "Fire Extinguisher"
CL-415	"Break Panel"
CL-416	"Felony Warning" Red
CL-422	"Extinguisher Missing"
CL-423	"Kitchen Suppression"
CL-426	Chromium Extinguisher Label

ACCESSORIES	
ITEM	DESCRIPTION
10300	Extinguisher Tray (not available on 105-20)



Fire Extinguisher Tray Accessory

CHIEF REPLACEMENT PARTS	
ITEM	DESCRIPTION
10503	105-5 White Tub
10553	105-5 Red Tub
10001W	White Lock Assembly
10001R	Red Lock Assembly
10505	105-5 White Frame & Lock
10555	105-5 Red Frame & Lock
10575	105-5 Clear Plexiglass
10595	105-5 Clear Pull Panel
11003	105-10 White Tub
11053	105-10 Red Tub
11005	105-10 White Frame & Lock
11055	105-10 Red Frame & Lock
11075	105-10 Clear Plexiglass
11065	105-10 Red Plexiglass
11095	105-10 Clear Pull Panel
12003	105-20 White Tub
12053	105-20 Red Tub
12005	105-20 White Frame & Lock
12055	105-20 Red Frame & Lock
12075	105-20 Clear Plexiglass

It is the responsibility of the customer to communicate specifications and product performance requirements that are needed for their application. This document is intended to convey potential product configurations and offerings. It is not to be used to imply or represent a specification or rating, of finished products shipped. Detailed, specific submittals can be created upon request. It is the responsibility of the customer to specify product accordingly to comply with local laws, codes, and ordinances.

© 2023 Activar Construction Products Group, Inc.

THE INFORMATION CONTAINED IN THIS DRAWING IS THE SOLE PROPERTY OF ACTIVAR CONSTRUCTION PRODUCTS GROUP, INC. ANY REPRODUCTION IN PART OR AS A WHOLE WITHOUT WRITTEN PERMISSION IS PROHIBITED.

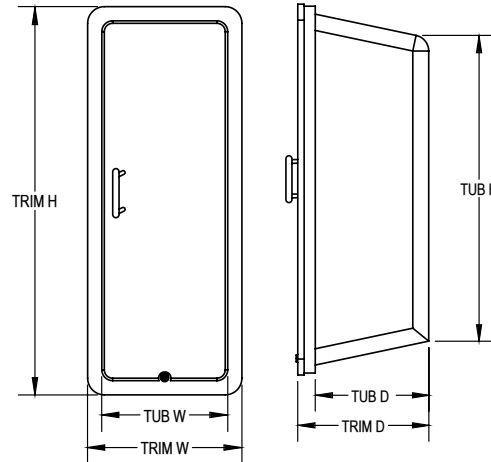
Page 2 of 2

## FIRE EXTINGUISHER CABINET - CHIEF PULL TO OPEN

Cato's affordable fire extinguisher series, manufactured in the U.S, provides a dent and rust proof alternative to metal. Cato's Chief Pull to Open series fire extinguisher cabinets feature a security hexagonal lock and key; along with a unique hinged acrylic door style with pull handle to allow quick access in case of fire.



Chief Pull to Open 105-10 RRC-Z



### SPECIFICATIONS:

**Tub and Frame Material:** Injection molded high impact crystal polystyrene in .110 thickness with ultra-violet inhibitors for UV resistance

**Tub and Trim Colors:** Available in red or white

**Cover Material:** .080 Acrylic front panel

**Acrylic Colors:** Available in clear or red (for best outdoor UV resistance)


**Decals:** UV resistant "FIRE" decal included

**Hardware:** Black ABS Handle 3.75" long with a 1.25" projection, two stainless steel hinges, a zinc plated roller catch with strike plate, and hexagonal lock with key installed

**Sizes:** Refer to table, listing model sizes with their compatible extinguishers from 2.5 - 20lbs

**Options:** Extinguisher tray

QTY	MODEL	TUB, TRIM & COVER COLOR	OPENING METHOD	TUB INNER DIMENSION H x W x D	TRIM OUTER DIMENSION H x W x D	WALL OPENING	WEIGHT (LBS.)	COMPATIBLE FIRE EXTINGUISHERS
	105-5	WWC- White tub, white trim, with clear cover	Z - Pull Handle	19-3/4" x 8" x 6-3/8"	19-1/4" x 8-1/4" x 6-3/4"	Surface Mount	5	Cosmic 2.5-5 Galaxy 2.5-5 Mercury 2.5
		RRC - Red tub, red trim, with clear cover						
	105-10	WWC - White tub, white trim, with clear cover	Z - Pull Handle	23" x 9 1/4" x 7"	23-1/4" x 9-1/4" x 7-1/4"	Surface Mount	6	Cosmic 2.5-10 Galaxy 2.5-10 Mercury 2.5-11 Sentinal 5
		RRC - Red tub, red trim, with clear cover						
	105-20	WWC - White tub, white trim, with clear cover	Z - Pull Handle	26" x 9" x 8"	28-1/2" x 11-1/2" x 9 1/2"	Surface Mount	6	Cosmic 2.5-20 Galaxy 2.5-20 Mercury 2.5-15.5 Sentinel 5, Saturn 15
		RRC - Red tub, red trim, with clear cover						

 <p>9702 Newton Avenue S, Bloomington, MN 55431</p> <p>© 2023 Activar Construction Products Group, Inc.</p>	Distributor:		Project:	
	Contractor:		Approved By:	
	Date:		Architect:	
	Scale: N/A	Pages: 1 of 2	Item #:	

THE INFORMATION CONTAINED IN THIS DRAWING IS THE SOLE PROPERTY OF ACTIVAR CONSTRUCTION PRODUCTS GROUP, INC. ANY REPRODUCTION IN PART OR AS A WHOLE WITHOUT WRITTEN PERMISSION IS PROHIBITED.

OCT 12, 2023



## FOR MORE INFORMATION CALL 1-888-926-1365

Superior Specialty Supply • 9 Council Drive • PO Box 417 • Woodsboro, MD 21798 • [www.sssupply.com](http://www.sssupply.com)

## FIRE EXTINGUISHER CABINET - CHIEF PULL TO OPEN

DECALS	
ITEM	DESCRIPTION
CL-401R	Fire Extinguisher "Fire" with red background
CL-401W	Fire Extinguisher "Fire" with white background
CL-403	Arrow 4"X18"
CL-412	Fire Extinguisher 1"X15" "Fire Extinguisher"
CL-413	Arrow 4"X12" "Fire Extinguisher"
CL-416	"Felony Warning" Red
CL-417	"In Case of Fire Pull Handle Firmly"
CL-418	"Pull to Open"
CL-422	"Extinguisher Missing"
CL-423	"Kitchen Suppression"
CL-426	Chromium Extinguisher Label

ACCESSORIES	
ITEM	DESCRIPTION
10300	Extinguisher Tray (not available on 105-20)



Fire Extinguisher Tray Accessory

### Decals Included



CL-401 Decal available with red or white background



10006R Red Hex Key

CHIEF PULL TO OPEN REPLACEMENT PARTS	
ITEM	DESCRIPTION
10505-Z	105-5 White Frame and Door Assembly
10555-Z	105-5 Red Frame and Door Assembly
11005-Z	105-10 White Frame and Door Assembly
11055-Z	105-10 Red Frame and Door Assembly
10001W	White Lock Assembly
10001R	Red Lock Assembly
10603	Black Handle Assembly

It is the responsibility of the customer to communicate specifications and product performance requirements that are needed for their application. This document is intended to convey potential product configurations and offerings. It is not to be used to imply or represent a specification or rating, of finished products shipped. Detailed, specific submittals can be created upon request. It is the responsibility of the customer to specify product accordingly to comply with local laws, codes, and ordinances.

© 2023 Activar Construction Products Group, Inc.

THE INFORMATION CONTAINED IN THIS DRAWING IS THE SOLE PROPERTY OF ACTIVAR CONSTRUCTION PRODUCTS GROUP, INC. ANY REPRODUCTION IN PART OR AS A WHOLE WITHOUT WRITTEN PERMISSION IS PROHIBITED.

Page 2 of 2



**FOR MORE INFORMATION CALL 1-888-926-1365**

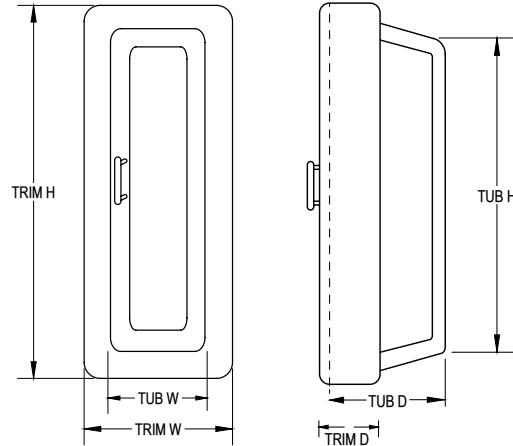
**Superior Specialty Supply • 9 Council Drive • PO Box 417 • Woodsboro, MD 21798 • [www.sssupply.com](http://www.sssupply.com)**

## FIRE EXTINGUISHER CABINET - CHIEF SEMI RECESSED

Cato's affordable fire extinguisher series, manufactured in the U.S, provides a dent and rust proof alternative to metal. Cato's Chief Semi Recessed fire extinguisher design is built with a 2.875" trim projection and meets ADA cabinet projection requirements. The hinged door is designed with a viewable acrylic window and pull handle. A cylinder lock is available upon request to allow this cabinet to have additional security.



Chief Semi Recessed 405-10 W



### SPECIFICATIONS:

**Tub and Frame Material:** Injection molded polymer polypropylene in .15 thickness, white only

**Trim Style:** 2.-7/8" Rounded edge

**Cover Material:** .080 Acrylic front panel, clear only

**Decals:** Red vertical "FIRE EXTINGUISHER" decal included, mounts to door or panel

**Hardware:** Stainless steel hinge, glass clip, zinc plated handle and roller catch

**Sizes:** Refer to table, listing model sizes with their compatible extinguishers from 2.5 - 10lbs

**Options:** Cylinder lock

QTY	MODEL	TRIM PROJECTION	TUB INNER DIMENSION H x W x D	TRIM OUTER DIMENSION H x W x D	WALL OPENING H x W x D	WEIGHT (LBS.)	COMPATIBLE FIRE EXTINGUISHERS
	405-10	2-3/8"	23-1/4" x 8-1/2" x 5-5/8"	27-5/8" x 13-3/8" x 2-7/8"	25" x 10-1/2" x 4"	5	Cosmic 2.5-10 Galaxy 2.5-10 Mercury 2.5-5 Sentinal 5

CHIEF SEMI RECESSED REPLACEMENT PARTS	
ITEM	DESCRIPTION
50025	Roller Catch
50026	Cam
97014	Handle

It is the responsibility of the customer to communicate specifications and product performance requirements that are needed for their application. This document is intended to convey potential product configurations and offerings. It is not to be used to imply or represent a specification or rating, of finished products shipped. Detailed, specific submittals can be created upon request. It is the responsibility of the customer to specify product accordingly to comply with local laws, codes, and ordinances.



9702 Newton Avenue S, Bloomington, MN 55431

© 2023 Activar Construction Products Group, Inc.

Distributor:		Project:	
Contractor:		Approved By:	
Date:		Architect:	
Scale: N/A	Pages: 1 of 1	Item #:	

THE INFORMATION CONTAINED IN THIS DRAWING IS THE SOLE PROPERTY OF ACTIVAR CONSTRUCTION PRODUCTS GROUP, INC. ANY REPRODUCTION IN PART OR AS A WHOLE WITHOUT WRITTEN PERMISSION IS PROHIBITED.

OCT 12, 2023



## FOR MORE INFORMATION CALL 1-888-926-1365

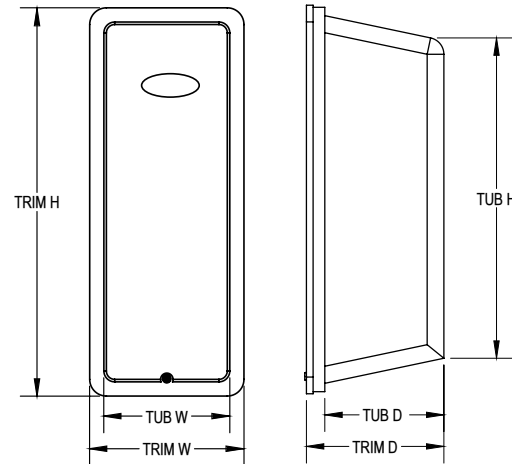
Superior Specialty Supply • 9 Council Drive • PO Box 417 • Woodsboro, MD 21798 • [www.sssupply.com](http://www.sssupply.com)

## FIRE EXTINGUISHER CABINET - ISLAND CHIEF

Cato's affordable fire extinguisher series, manufactured in the U.S, provides a dent and rust proof alternative to metal. Cato's Island Chief series fire extinguisher cabinets feature a security hexagonal lock and key to open and remove the trim and pull panel cover. The acrylic features a hand opening to easily pull panel out to gain access in case of fire.



Island Chief 105-5 WWC-P



### SPECIFICATIONS:

**Tub and Frame Material:** Injection molded high impact crystal polystyrene in .110 thickness with ultra-violet inhibitors for UV resistance

**Tub and Trim Colors:** Available in red or white

**Cover Material:** .030 PETG (polyethylene terephthalate glycol) acrylic with oval notch cut out to complete the pull panel design

**Acrylic Colors:** Available in clear or red (for best outdoor UV resistance)

**Decals:** UV resistant "FIRE" and "Tampering is a Felony" Pull panel decals included

**Hardware:** Polystyrene hexagonal lock and key installed

**Sizes:** Refer to table, listing model sizes with their compatible extinguishers from 2.5 - 10lbs

**Options:** Extinguisher tray

QTY	MODEL	TUB, TRIM & COVER COLOR	OPENING METHOD	TUB INNER DIMENSION H x W x D	TRIM OUTER DIMENSION H x W x D	WALL OPENING	WEIGHT (LBS.)	COMPATIBLE FIRE EXTINGUISHERS
	105-5	WWC- White tub, white trim, with clear cover	P - Pull Panel	16-3/4" x 6" x 5-3/8"	19-1/4" x 8-1/4" x 6-3/4"	Surface Mount	3.5	Cosmic 2.5-5 Galaxy 2.5-5
		RRC - Red tub, red trim, with clear cover						
	105-10	WWC - White tub, white trim, with clear cover	P - Pull Panel	20-1/2" x 6-3/4" x 6"	23-1/4" x 9-1/4" x 7-1/4"	Surface Mount	4.5	Cosmic 2.5-10 Galaxy 2.5-10 Mercury 2.5-11
		RRC - Red tub, red trim, with clear cover						



9702 Newton Avenue S, Bloomington, MN 55431

© 2023 Activar Construction Products Group, Inc.

Distributor:

Contractor:

Date:

Scale: N/A

Pages: 1 of 2

Project:

Approved By:

Architect:

Item #:

THE INFORMATION CONTAINED IN THIS DRAWING IS THE SOLE PROPERTY OF ACTIVAR CONSTRUCTION PRODUCTS GROUP, INC. ANY REPRODUCTION IN PART OR AS A WHOLE WITHOUT WRITTEN PERMISSION IS PROHIBITED.

OCT 12, 2023



**FOR MORE INFORMATION CALL 1-888-926-1365**

**Superior Specialty Supply • 9 Council Drive • PO Box 417 • Woodsboro, MD 21798 • www.sssupply.com**

## FIRE EXTINGUISHER CABINET - ISLAND CHIEF

DECALS	
ITEM	DESCRIPTION
CL-401R	Fire Extinguisher "Fire" with red background
CL-401W	Fire Extinguisher "Fire" with white background
CL-403	Arrow 4"X18"
CL-412	Fire Extinguisher 1"X15" "Fire Extinguisher"
CL-413	Arrow 4"X12" "Fire Extinguisher"
CL-416	"Felony Warning" Red
CL-416A	Pull Panel Label "Felony" Std. on Island Chief
CL-418	"Pull to Open"
CL-422	"Extinguisher Missing"
CL-423	"Kitchen Suppression"
CL-426	Chromium Extinguisher Label

ACCESSORIES	
ITEM	DESCRIPTION
10300	Extinguisher Tray (not available on 105-20)



Fire Extinguisher Tray Accessory

### Decals Included



CL-401 Decal available with red or white background



CL-416A Decal



10006R Red Hex Key

CHIEF REPLACEMENT PARTS	
ITEM	DESCRIPTION
10503	105-5 White Tub
10553	105-5 Red Tub
10001W	White Lock Assembly
10001R	Red Lock Assembly
10505	105-5 White Frame & Lock
10555	105-5 Red Frame & Lock
10575	105-5 Clear Plexiglass
10595	105-5 Clear Pull Panel
11003	105-10 White Tub
11053	105-10 Red Tub
11005	105-10 White Frame & Lock
11055	105-10 Red Frame & Lock
11075	105-10 Clear Plexiglass
11065	105-10 Red Plexiglass
11095	105-10 Clear Pull Panel
12003	105-20 White Tub
12053	105-20 Red Tub
12005	105-20 White Frame & Lock
12055	105-20 Red Frame & Lock
12075	105-20 Clear Plexiglass

It is the responsibility of the customer to communicate specifications and product performance requirements that are needed for their application. This document is intended to convey potential product configurations and offerings. It is not to be used to imply or represent a specification or rating, of finished products shipped. Detailed, specific submittals can be created upon request. It is the responsibility of the customer to specify product accordingly to comply with local laws, codes, and ordinances.

© 2023 Activar Construction Products Group, Inc.

THE INFORMATION CONTAINED IN THIS DRAWING IS THE SOLE PROPERTY OF ACTIVAR CONSTRUCTION PRODUCTS GROUP, INC. ANY REPRODUCTION IN PART OR AS A WHOLE WITHOUT WRITTEN PERMISSION IS PROHIBITED.

Page 2 of 2



**FOR MORE INFORMATION CALL 1-888-926-1365**

**Superior Specialty Supply • 9 Council Drive • PO Box 417 • Woodsboro, MD 21798 • www.sssupply.com**