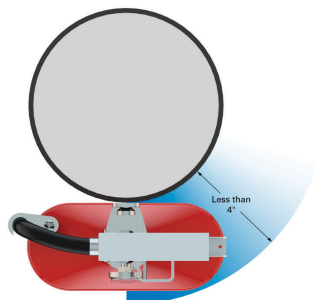




Low-Profile Fire Extinguishers

10H-PKP Purple K Dry Chemical Fire Extinguisher, Class BC, 10 lb.



Application: 10 lb. Purple K dry chemical fire extinguisher for wall and column mounting. Highly effective on flammable liquid fires. Suitable for use on Class B and C fires. Not recommended for use on sensitive electronic equipment.

Mounting: Surface mounted on wall or column with patented swivel hook. Hook holds unit securely, even if bumped or pushed.

Accessibility: Fire extinguisher depth is 3-1/2" (90mm). When wall or column mounted, unit complies with 4" (102mm) maximum limit for protruding objects as required by the Americans with Disabilities Act (ADA), 2010 ADA Standards for Accessible Design, International Building Code and ANSI/ICC ANSI A117.1.

Healthcare Facilities: Facilitates compliance with CMS accessibility requirements. Certified as "MR Conditional" for safe use in environments with magnetic resonance imaging (MRI) equipment up to 3 Teslas.

UL/ULC Rating: 80B:C

Capacity: 10 lb. (4.54 kg).

Vessel: Extruded aluminum body with welded aluminum top and bottom caps and durable red powder coated finish.

Valve: Anodized aluminum valve with stainless steel handle and pull pin, rubber hose and anodized aluminum nozzle.

Agent: Potassium bicarbonate-based dry chemical.

Transportation: Meets US Department of Transportation requirements for packaging and shipping. Labeled per UN1044.

Quality Assurance: UL listed, compliant with NFPA 10 and tested and certified to ANSI/UL-299, ANSI/UL-711, CAN/ULC-5504 and CAN/ULC-5508. Fire extinguisher is fully assembled, filled, pressurized and tested prior to shipment.

Warranty: Six years.

Patents: Covered by U.S. patents 9,364,696; D760,443; D760,444; D777,566.

Product Specifications

Discharge Time: 22 seconds

Discharge Range: 10 – 15 ft. (3 – 4.5m)

Temperature Range: -40° to 120° F (-40° to 49° C)

Operating Pressure: 195 PSI (1344 kPa)

Dimensions: 22-7/8" (581mm) high x 8" (203mm) wide x 3-1/2" (89mm) deep

Shipping Weight: 22 lbs. (10 kg)

Oval Fire Products



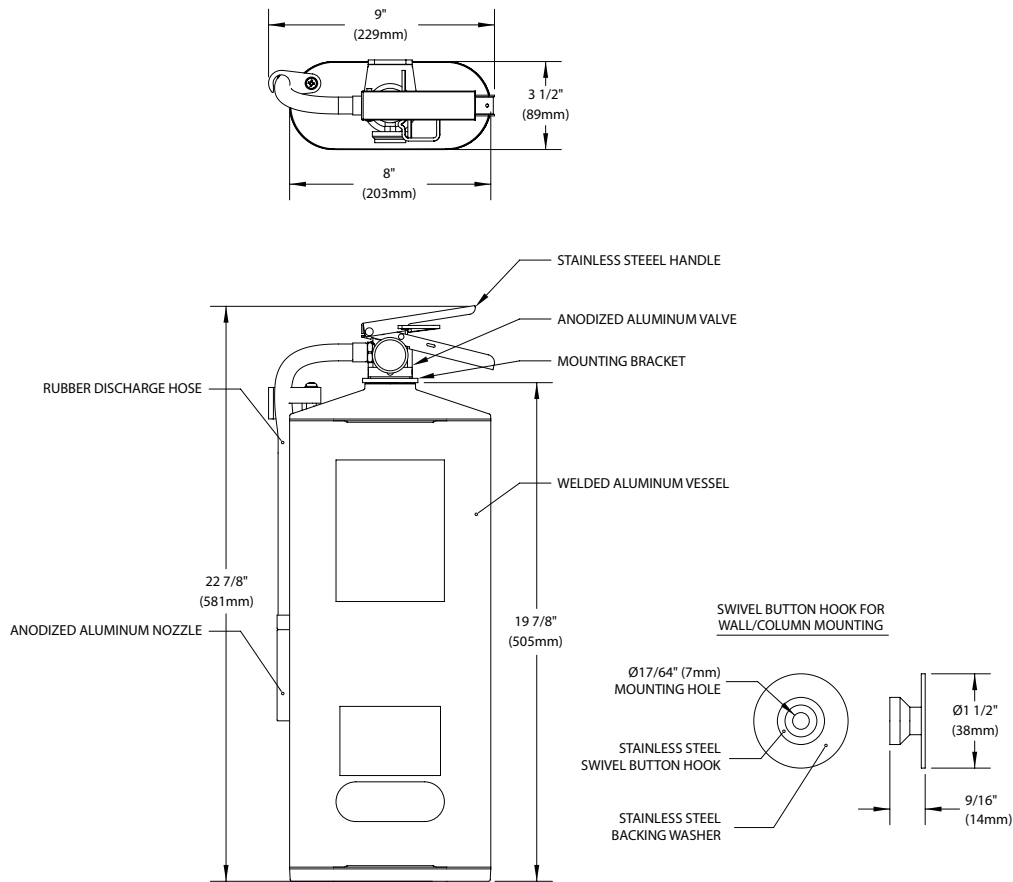
FOR MORE INFORMATION CALL 1-888-926-1365
 Superior Specialty Supply • 9 Council Drive • PO Box 417 • Woodsboro, MD 21798 • www.sssupply.com



RESHAPING FIRE PROTECTION

Low-Profile Fire Extinguishers

10H-PKP Purple K Dry Chemical Fire Extinguisher, Class BC, 10 lb.



THIS SPACE FOR ARCHITECT/ENGINEER APPROVAL

Due to continuing product improvement, the information contained in this document is subject to change without notice. All dimensions are ± 1/4" (6mm). Rev. 111119

Oval Fire Products



FOR MORE INFORMATION CALL 1-888-926-1365
 Superior Specialty Supply • 9 Council Drive • PO Box 417 • Woodsboro, MD 21798 • www.sssupply.com