

## SUBMITTAL: PANORAMA FIRE-FX2 FIRE-RATED STEEL FIRE EXTINGUISHER CABINETS

The Panorama Cabinet Features a Frameless Door of Clear Polycarbonate or Opaque Textured Acrylic with Many Lettering Options

**Door & Trim Construction:** Flush acrylic cabinet doors are attached by a continuous hinge and equipped with zinc-plated handle and roller catch. 1-3/4" trim on cabinet has white powder coat finish.

**Trim Style & Depth:** Trimless *Recessed* - See Separate Submittal, *Recessed* 3/8" flat trim, *Semi Recessed* - 1-1/4", 1-1/2" Square Edge or 2-1/2", 3", 4", 4-1/2" Rolled Edge (4" has recessed ADAC pull).

**Tub:** The tub is constructed of cold rolled steel with white powder-coat finish standard. Tub forms a flange to cover cut edges of wallboard material. Fire-resistant material is attached to the exterior of the tub.

*Fire Rating: Fire-FX2™ cabinets are UL listed and labeled as an approved membrane penetration firestop system for up to 2 hours in accordance with UL 1479 (ASTM-E814) and CAN/ULC-S115, when properly installed in a wall assembly according to installation instructions.*

**STEP 1: SELECT MODEL NUMBER, MATERIAL AND QUANTITY ON CHART** (refer to chart on pg 2)

A. Determine Trim Style according to wall depth.      B. Determine Tub I.D. according to size most suited for extinguisher and wall opening.

**STEP 2: SELECT DOOR STYLE**

(Check one box below)

- |   |  |
|---|--|
| <input type="checkbox"/> C70 Clear 3/16" Unlettered Smooth Polycarbonate              | <input type="checkbox"/> P Identity: 3/16" Textured Obscure Acrylic with Lettering             |
| <input type="checkbox"/> C71 Clear 3/16" Unlettered Smooth Polycarbonate & Saf-T-Lok™ | <input type="checkbox"/> Q Identity: 3/16" Textured Obscure Acrylic with Lettering & Saf-T-Lok |

**STEP 3 - P&Q DOORS SELECT LETTERING STYLE** View lettering styles on page 2:

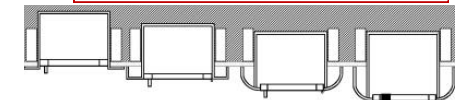
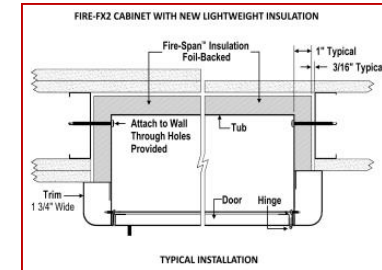
<input type="checkbox"/> 40 Vert, Black Bkgd, White Lettering	<input type="checkbox"/> 45 Horiz, Black Bkgd, White Lettering	<input type="checkbox"/> 50 Ascend, Black Bkgd, White Lettering
<input type="checkbox"/> 41 Vert, Red Bkgd, White Lettering	<input type="checkbox"/> 46 Horiz, Red Bkgd, White Lettering	<input type="checkbox"/> 51 Ascend, Red Bkgd, White Lettering
<input type="checkbox"/> 42 Vert, White Bkgd, Black Lettering	<input type="checkbox"/> 47 Horiz, White Bkgd, Black Lettering	<input type="checkbox"/> 52 Ascend, White Bkgd, Black Lettering
<input type="checkbox"/> 43 Vert, White Bkgd, Red Lettering	<input type="checkbox"/> 48 Horiz, White Bkgd, Red Lettering	<input type="checkbox"/> 53 Ascend, White Bkgd, Red Lettering

**STEP 4: OPTIONAL FEATURES AT ADDED COST (SELECT ANY)**

- |  |  |
|--|--|
| <input type="checkbox"/> Optional Tub Color: ___ Black ___ Red   | <input type="checkbox"/> (CA) Commander Alarm                            |
| <input type="checkbox"/> Futura "Fire" Handle ___ Mill Aluminum (PUF) ___ Red ___ White  | <input type="checkbox"/> (BA) Brigadier Alarm                            |
| <input type="checkbox"/> Color: Trim and door will be painted in a single color. See website for color choices. Enter color code here: ___ | <input type="checkbox"/> Flush Pull Handle for P and Q Door Styles (PRH) |
|  | <input type="checkbox"/> Polished Chrome Lever Handle (P6)               |
|  | <input type="checkbox"/> Chrome Pull (PUCH)                              |



1012P48FX2A 4" Rolled Trim Semi-Recessed With Standard Flush Pull  
1817Q51FX2 3" Rolled Trim



3/8" Flat Trim 1-1/2" Square Trim 2-1/2", 3" Rolled Edge 4" Rolled w/ Flush Pull or 4-1/2" w/Std Pull

It is the responsibility of the customer to communicate specifications and product performance requirements that are needed for their application. This document is intended to convey potential product configurations and offerings. It is not to be used to imply or represent a specification or rating, of finished products shipped. Detailed, specific submittals can be created upon request. It is the responsibility of the customer to specify product accordingly to comply with local laws, codes, and ordinances.

	Distributor:	Quantity:
	Contractor:	Approved By:
	Model #:	Architect:
	Project:	Date:
5/30/23		© 2023 Activar Construction Products Inc



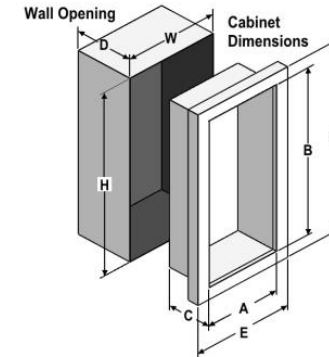
**FOR MORE INFORMATION CALL 1-888-926-1365**  
 Superior Specialty Supply • 9 Council Drive • PO Box 417 • Woodsboro, MD 21798 • [www.sssupply.com](http://www.sssupply.com)

## SUBMITTAL: PANORAMA FX2™ FIRE-RATED STEEL EXTINGUISHER CABINETS

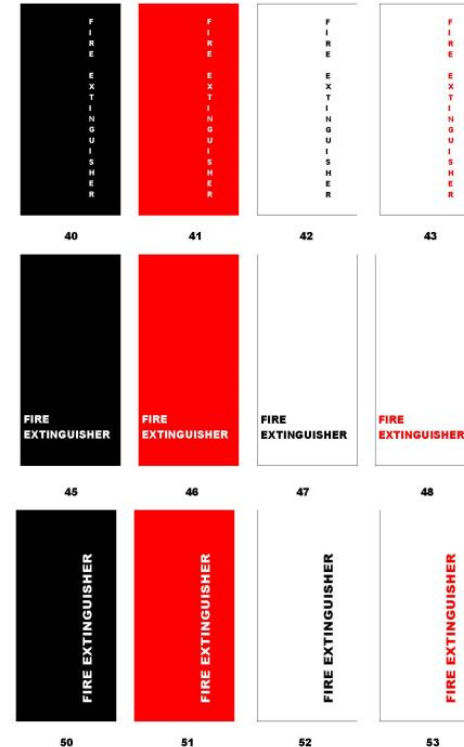
TRIM & DOOR SERIES #			Tub I.D.			Frame O.D.		FX Wall Opening			Fits Extinguishers
QTY	Model	Trim Style	A	B	C	E	F	W	H	D	
	8115	Flat trim ●	9	18	5 1/2	12 3/8	21 3/8	11 5/16	20 5/16	6 7/16	Cosmic & Galaxy 2 1/2-5-1/2 Mercury 2 1/2-5
	8116	1 1/2 Square ●	9	18	5 1/2	12 3/8	21 3/8	11 5/16	20 5/16	5 3/16	
	8117	2 1/2 Rolled ●	9	18	5 1/2	12 3/8	21 3/8	11 5/16	20 5/16	4	
	1815	Flat trim ●	10 1/2	24	5 1/2	13 7/8	27 3/8	12 13/16	26 5/16	6 7/16	Cosmic & Galaxy 2 1/2-5-1/2 Mercury 2 1/2-5
	1816	1 1/2 Square ●	10 1/2	24	5 1/2	13 7/8	27 3/8	12 13/16	26 5/16	5 11/16	
	1817	3 Rolled ●	10 1/2	24	5 1/2	13 7/8	27 3/8	12 13/16	26 5/16	3 11/16	
	1812	4 Rolled*(● P or Q)	10 1/2	24	5 1/2	13 7/8	27 3/8	12 13/16	26 5/16	2 7/8	
	1818	4 1/2 Rolled	10 1/2	24	5 1/2	13 7/8	27 3/8	12 13/16	26 5/16	2 3/16	
	1015	Flat trim ●	10 1/2	24	6	13 7/8	27 3/8	12 13/16	26 5/16	6 15/16	Cosmic & Galaxy 2 1/2-10 Mercury 2 1/2-5, Sentinel 5
	1016	1 1/2 Square ●	10 1/2	24	6	13 7/8	27 3/8	12 13/16	26 5/16	5 11/16	
	1017	3 Rolled ●	10 1/2	24	6	13 7/8	27 3/8	12 13/16	26 5/16	4	
	1012	4 Rolled*(● P or Q)	10 1/2	24	6	13 7/8	27 3/8	12 13/16	26 5/16	3 3/8	
	1018	4 1/2 Rolled	10 1/2	24	6	13 7/8	27 3/8	12 13/16	26 5/16	2 11/16	
	2015	Flat trim ●	12	27	7 3/4	15 3/8	30 3/8	14 5/16	29 5/16	8 11/16	Any †Cosmic, †Galaxy, Mercury, Saturn or Grenadier P, Sentinel 5 & 10, Nebula 270
	2016	1 1/4 Square ●	12	27	7 3/4	15 3/8	30 3/8	14 5/16	29 5/16	7 11/16	
	2017	2 1/2 Rolled ●	12	27	7 3/4	15 3/8	30 3/8	14 5/16	29 5/16	6 7/16	
	2012	4 Rolled*(● P or Q)	12	27	7 3/4	15 3/8	30 3/8	14 5/16	29 5/16	5 1/8	
	2018	4 1/2 Rolled	12	27	7 3/4	15 3/8	30 3/8	14 5/16	29 5/16	4 7/16	
	3015	Flat trim ●	16	32	7 3/4	19 3/8	35 3/8	18 5/16	34 5/16	8 11/16	Any †Cosmic, †Galaxy, Mercury, Saturn or Grenadier P, Sentinel 5-15, Nebula 250, 270, 272
	3016	1 1/4 Square ●	16	32	7 3/4	19 3/8	35 3/8	18 5/16	34 5/16	7 11/16	
	3017	2 1/2 Rolled ●	17	34	9	20 3/8	38 3/8	18 5/16	34 5/16	6 7/16	
	3012	4 Rolled*(● P or Q)	16	32	7 3/4	19 3/8	35 3/8	18 5/16	34 5/16	5 1/8	
	3018	4 1/2 Rolled	16	32	7 3/4	19 3/8	35 3/8	18 5/16	34 5/16	4 7/16	
	4015	Flat trim ●	20	27	7 3/4	23 3/8	30 3/8	22 5/16	29 5/16	8 11/16	Two each of: any Cosmic, Galaxy, Mercury, Saturn or Grenadier P*, Sentinel 5
	4016	1 1/4 Square ●	20	27	7 3/4	23 3/8	30 3/8	22 5/16	29 5/16	7 11/16	
	4017	2 1/2 Rolled ●	20	27	7 3/4	23 3/8	30 3/8	22 5/16	29 5/16	6 7/16	
	4012	4 Rolled*(● P or Q)	20	27	7 3/4	23 3/8	30 3/8	22 5/16	29 5/16	5 1/8	
	4018	4 1/2 Rolled	20	27	7 3/4	23 3/8	30 3/8	22 5/16	29 5/16	4 7/16	



Lightweight  
Insulation



PANORAMA "P" & "Q" DOOR GLAZING STYLES



4" Rolled models have recessed pull for "P" and "Q" Doors and standard pull for "C" Styles

● Meet 4" Maximum ADA Projection Requirement

† 20 lb Cosmic and Galaxy must be mounted on back of tub

**ADA Cabinet Mounting Height:** Standard Pull on C71 and Q Style Doors with Saf-T-Lok are 3 5/8" Higher than Door Center, so Allow for that When Mounting Cabinet. Standard Pull with No Lock, or Flush Pull are Centered on Door.



**FOR MORE INFORMATION CALL 1-888-926-1365**

Superior Specialty Supply • 9 Council Drive • PO Box 417 • Woodsboro, MD 21798 • [www.sssupply.com](http://www.sssupply.com)