

SUBMITTAL: PANORAMA™ ALUMINUM FIRE EXTINGUISHER CABINETS

The Panorama Cabinet Features a Frameless Door of Clear Polycarbonate or Opaque Textured Acrylic with Many Lettering Options and Optional Anodized Aluminum Finish

Door & Trim Construction: No 180 clear anodized aluminum. Flush cabinet doors with a 5/8" door stop are attached by a continuous hinge and equipped with zinc-plated handle and roller catch. All models have 1-3/4" wide trim on frame and 1-1/4" trim on doors with glazing. Rolled edge models are constructed of mechanically-joined extrusions, except for models 1827 and 1027 which are die formed. *Die formed corners provide an attractive, rounded edge - unique to the JL line of cabinets!*

Trim Style & Depth: Recessed 3/8" flat trim, Semi Recessed - 1-1/4", 1-1/2" Square Edge or 2-1/2", 3", 4", 4-1/2" Rolled Edge (4" has recessed pull). Surface-mount models have a square edge.

Tub: The tub is constructed of cold rolled steel with white powder-coat finish standard. Surface-mount models have aluminum tub.

Fire-Rated Option Available: Yes - See separate Submittal Form.

STEP 1: SELECT MODEL NUMBER, MATERIAL AND QUANTITY ON CHART (refer to chart on pg 2)

- A. Determine Trim Style according to wall depth.
- B. Determine Tub I.D. according to size most suited for extinguisher and wall opening.

STEP 2: SELECT DOOR STYLE

(Check one box below)

- | | |
|---|--|
| <input type="checkbox"/> C70 Clear 3/16" Unlettered Smooth Polycarbonate | <input type="checkbox"/> P Identity: 3/16" Textured Obscure Acrylic with Lettering |
| <input type="checkbox"/> C71 Clear 3/16" Unlettered Smooth Polycarbonate & Saf-T-Lok™ | <input type="checkbox"/> Q Identity: 3/16" Textured Obscure Acrylic with Lettering & Saf-T-Lok |

STEP 3 - P&Q DOORS SELECT LETTERING STYLE View lettering styles on page 2


40 Vert, Black Bkgd, White Lettering	45 Horiz, Black Bkgd, White Lettering	50 Ascend, Black Bkgd, White Lettering
41 Vert, Red Bkgd, White Lettering	46 Horiz, Red Bkgd, White Lettering	51 Ascend, Red Bkgd, White Lettering
42 Vert, White Bkgd, Black Lettering	47 Horiz, White Bkgd, Black Lettering	52 Ascend, White Bkgd, Black Lettering
43 Vert, White Bkgd, Red Lettering	48 Horiz, White Bkgd, Red Lettering	53 Ascend, White Bkgd, Red Lettering

STEP 4: OPTIONAL FEATURES AT ADDED COST (SELECT ANY)

- | | |
|---|--|
| <input type="checkbox"/> Futura "Fire" Handle ___ Mill Alum-(PUF) ___ Red ___ White | <input type="checkbox"/> (CA) Commander Alarm View Alarms Online |
| <input type="checkbox"/> Flush Pull Handle for "P" or "Q" Style Doors Only | <input type="checkbox"/> (BA) Brigadier Alarm |
| <input type="checkbox"/> Polished Chrome Pull (PUCH) | <input type="checkbox"/> (SA) Strobe Alarm (surface mount) |
| <input type="checkbox"/> Optional Dark Bronze Anodized Color Finish: (with matching pull) | <input type="checkbox"/> Clear Anodized Aluminum Tub |
| | <input type="checkbox"/> Optional Tub Color: ___ Black ___ Red |

For More Information on Options See Other Submittals: Decals & Die Lettering, Wall Signs, Alarms, Pulls & Levers

It is the responsibility of the customer to communicate specifications and product performance requirements that are needed for their application. This document is intended to convey potential product configurations and offerings. It is not to be used to imply or represent a specification or rating, of finished products shipped. Detailed, specific submittals can be created upon request. It is the responsibility of the customer to specify product accordingly to comply with local laws, codes, and ordinances.

 JL INDUSTRIES	Distributor:	Quantity:
	Contractor:	Approved By:
	Model #:	Architect:
	Project:	Date:
© 2023 Activar Construction Products Group, Inc		
5/25/2023		



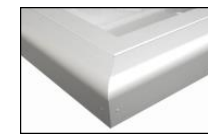
1026P40
Semi-Recessed
1-1/2" Trim

8127Q43
2-1/2" Rolled Trim
Semi-Recessed
With Saf-T-Lok™

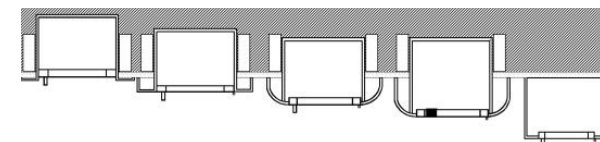
1826C70
1-1/2" Square
Trim
Semi-Recessed



Formed Rolled Edge
1027 and 1827



Extruded Rolled Edge
2-1/2", 4" and 4-1/2"



3/8" Flat Trim 1-1/2" Square Trim 2-1/2", 3" Rolled Edge 4" Rolled w/ Flush Pull or 4-1/2" w/Std Pull Surface Mounted

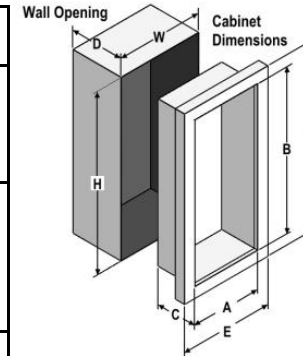


FOR MORE INFORMATION CALL 1-888-926-1365

Superior Specialty Supply • 9 Council Drive • PO Box 417 • Woodsboro, MD 21798 • www.sssupply.com

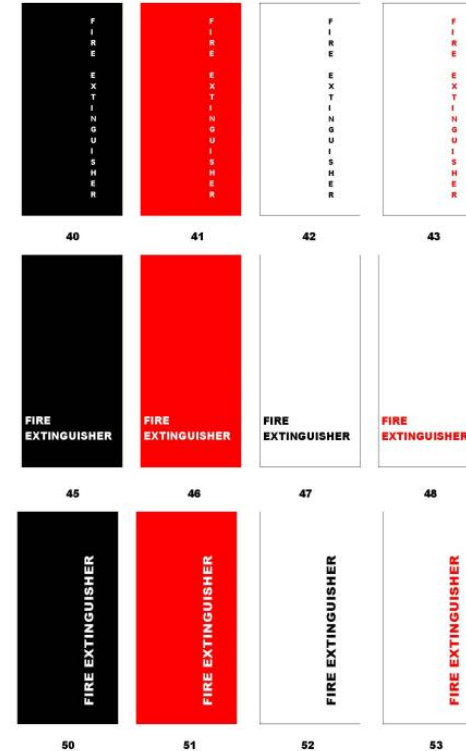
SUBMITTAL: PANORAMA ALUMINUM FIRE EXTINGUISHER CABINETS

TRIM & DOOR SERIES #			Tub I.D.			Frame O.D.		Wall Opening			Extinguishers Accommodated
QTY	Model	Trim Style (in)	A	B	C	E	F	W	H	D	
	8125	Flat trim ●	9	18	5 1/2	12 3/8	21 3/8	10	19	5 3/8	Cosmic & Galaxy 2 1/2-5-1/2 Mercury 2 1/2-5
	8126	1 1/2 Square●	9	18	5 1/2	12 3/8	21 3/8	10	19	4 1/8	
	8127	2 1/2 Rolled●	9	18	5 1/2	12 3/8	21 3/8	10	19	3 3/4	
	8123	Surf. Mtd Sq	12 3/16	21 3/16	6	12 3/8	21 3/8	--	--	--	Cosmic & Galaxy 2 1/2-5-1/2 Mercury 2 1/2-5
	1825	Flat trim ●	10 1/2	24	5 1/2	13 7/8	27 3/8	11 1/2	25	5 3/8	
	1826	1 1/2 Square●	10 1/2	24	5 1/2	13 7/8	27 3/8	11 1/2	25	4 1/8	
	1827	3 Rolled●	10 1/2	24	5 1/2	13 7/8	27 3/8	11 1/2	25	2 5/8	
	1822	4 Rolled*(● P or Q)	10 1/2	24	5 1/2	13 7/8	27 3/8	11 1/2	25	2 1/2	
	1828	4 1/2 Rolled	10 1/2	24	5 1/2	13 7/8	27 3/8	11 1/2	25	1 3/4	
	1025	Flat trim ●	10 1/2	24	6	13 7/8	27 3/8	11 1/2	25	5 7/8	Cosmic & Galaxy 2 1/2-10 Mercury 2 1/2-5, Sentinel 5
	1026	1 1/2 Square●	10 1/2	24	6	13 7/8	27 3/8	11 1/2	25	4 5/8	
	1027	3 Rolled●	10 1/2	24	6	13 7/8	27 3/8	11 1/2	25	3 1/8	
	1022	4 Rolled*(● P or Q)	10 1/2	24	6	13 7/8	27 3/8	11 1/2	25	3	
	1028	4 1/2 Rolled	10 1/2	24	6	13 7/8	27 3/8	11 1/2	25	2 1/4	
	1023	Surf Mtd. Sq	13 11/16	27 3/16	6 1/2	13 7/8	27 3/8	--	--	--	Any Cosmic, Galaxy, Mercury, Saturn or Grenadier P (20 lb must be mounted on back of tub), Sentinel 5 & 10
	2025	Flat trim ●	12	27	7 3/4	15 3/8	30 3/8	13	28	7 5/8	
	2026	1 1/4 Square●	12	27	7 3/4	15 3/8	30 3/8	13	28	6 5/8	
	2027	2 1/2 Rolled●	12	27	7 3/4	15 3/8	30 3/8	13	28	6	
	2022	4 Rolled*(● P or Q)	12	27	7 3/4	15 3/8	30 3/8	13	28	4 3/4	
	2028	4 1/2 Rolled	12	27	7 3/4	15 3/8	30 3/8	13	28	4	
	2023	Surf Mtd. Sq	15 3/16	30 3/16	8 1/4	15 3/8	30 3/8	--	--	--	Any Cosmic, Galaxy, Mercury, Saturn or Grenadier P (20 lb must be mounted on back of tub), Sentinel 5-15, 272
	3025	Flat trim ●	16	32	7 3/4	19 3/8	35 3/8	17	33	7 5/8	
	3026	1 1/4 Square●	16	32	7 3/4	19 3/8	35 3/8	17	33	6 5/8	
	3027	2 1/2 Rolled●	16	32	7 3/4	19 3/8	35 3/8	17	33	6	
	3022	4 Rolled*(● P or Q)	16	32	7 3/4	19 3/8	35 3/8	17	33	4 3/4	
	3028	4 1/2 Rolled	16	32	7 3/4	19 3/8	35 3/8	17	33	4	
	3023	Surf Mtd. Sq	19 3/16	35 3/16	8 1/4	19 3/8	35 3/8	--	--	--	Two each of: any Cosmic, Galaxy, Mercury, Saturn or Grenadier P (20 lb must be mounted on back of tub), Sentinel 5
	4025	Flat trim ●	20	27	7 3/4	23 3/8	30 3/8	21	28	7 5/8	
	4026	1 1/4 Square●	20	27	7 3/4	23 3/8	30 3/8	21	28	6 5/8	
	4027	2 1/2 Rolled●	20	27	7 3/4	23 3/8	30 3/8	21	28	6	
	4022	4 Rolled*(● P or Q)	20	27	7 3/4	23 3/8	30 3/8	21	28	4 3/4	
	4028	4 1/2 Rolled	20	27	7 3/4	23 3/8	30 3/8	21	28	4	
	4023	Surf Mtd. Sq	23 3/16	30 3/16	8 1/4	23 3/8	30 3/8	--	--	--	



ADA Cabinet Mounting
Height: Standard Pull on G, E, W, L22 and B Door Styles with Saf-T-Lok are 3 5/8" Higher than Door Center, so Allow for that When Mounting Cabinet.
 Standard Pull with No Lock or Recessed Pull are Centered on Door.

PANORAMA "P" & "Q" DOOR GLAZING STYLES



* 4" Rolled models have recessed pull for P and Q Doors and standard pull for C Styles

● Meets ADA Cabinet Projection Requirements



FOR MORE INFORMATION CALL 1-888-926-1365

Superior Specialty Supply • 9 Council Drive • PO Box 417 • Woodsboro, MD 21798 • www.sssupply.com